

IO BOX 4

Digital / Analog
interface device



IO BOX 4 is an input-output interface device providing additional connectivity for cinema sound system.

Microphone input is used for real-time announcements and emergency messages, while provided unbalanced and balanced inputs are used to connect additional signal sources to the system.

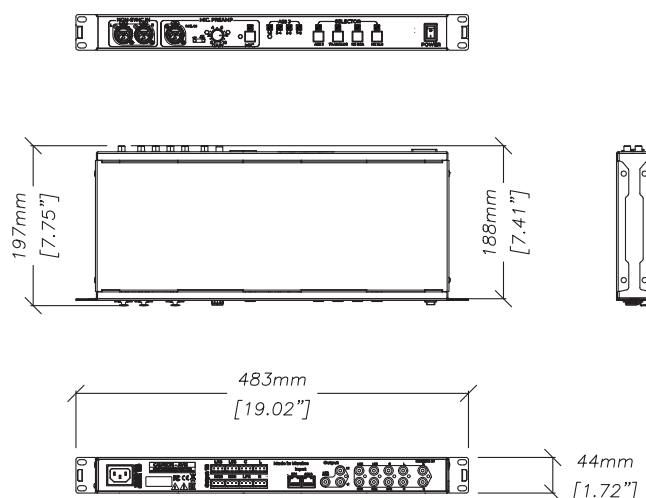
IO BOX 4 is directly controlled by IP connection through WEB UI and receives automation for intergration with TMS.



SPECIFICATIONS

Frequency range	20 Hz - 20000 Hz
Microphone input	XLR female
Microphone switch	Microphone in on/off
Microphone input HPF	100 Hz 12 dB/oct switchable
Microphone input phantom supply	+48 V switchable
Microphone input max gain	+60 dB
Non-sync in	2x XLR female front 2x RCA rear switchable
Analog unbal. 7.1. input	8x RCA
Analog H/I output	1x RCA
Analog V/I output	1x RCA
Monitoring output L+C+R summed	1x RCA
Analog bal. output	8x 3 pin Phoenix
AES3 in	1x RJ-45
RS 485 / Ethernet in	1x RJ-45
Input selector	Non-sync / 7.1 Analog / AES3
Mains plug	C14
Mains nominal voltage	90V - 265V / 50-60Hz
Max. power consumption	10W
Operating temperature	0 °C to 40 °C (32 °F to 104 °F)
Maximum operating altitude	10,000 ft. (3,000m) above sea level
Rack height	1U
Dimensions (WxHxD)	483x44x197 mm / 19"x1,72"x7,74"
Shipping dimensions (WxHxD)	533x266x76 mm
Net weight	2,6 kg
Shipping weight	3,7 kg

DIMENSIONS



SAFETY INSTRUCTIONS

1. Do not use this equipment near water.
2. Clean only with dry cloth.
3. Do not block any ventilation openings. Install in accordance with the manufacturer's instructions.
4. Do not use near heat sources such as stoves, heat registers, radiators or other equipment (including amplifiers) that produces heat.
5. Do not use the unit near open fire sources.
6. Connect the unit only to the electric network with grounding. Use only electric plugs that provide grounding.
7. Protect the power cord from being walked on, pinched, or otherwise damaged.
8. Use only accessories specified by the manufacturer.
9. Unplug this unit during lightning storms or when unused for long periods of time.
10. Refer all servicing to qualified service personnel. Servicing is required when the system has been damaged in any way, such as power supply cord or plug is damaged, liquid has been spilled or objects have fallen into the unit, the unit has been exposed to rain or moisture, does not operate normally, or has been dropped.
11. WARNING - TO REDUCE THE RISK OF FIRE OR ELECTRIC SHOCK, DO NOT EXPOSE THIS SYSTEM UNIT TO RAIN OR MOISTURE.