

# DCO-6000

8-channel cinema  
DSP amplifier

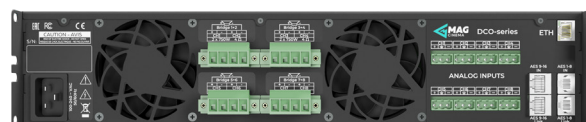


DCO series opens a new chapter of simplicity and convenience of the cinema sound installation. DCO series amplifiers are equipped with state-of-the-art DSP, fully compatible with a proprietary DANA system, so they are the only piece of equipment necessary to run the entire B-chain signal processing, amplification, and automation.

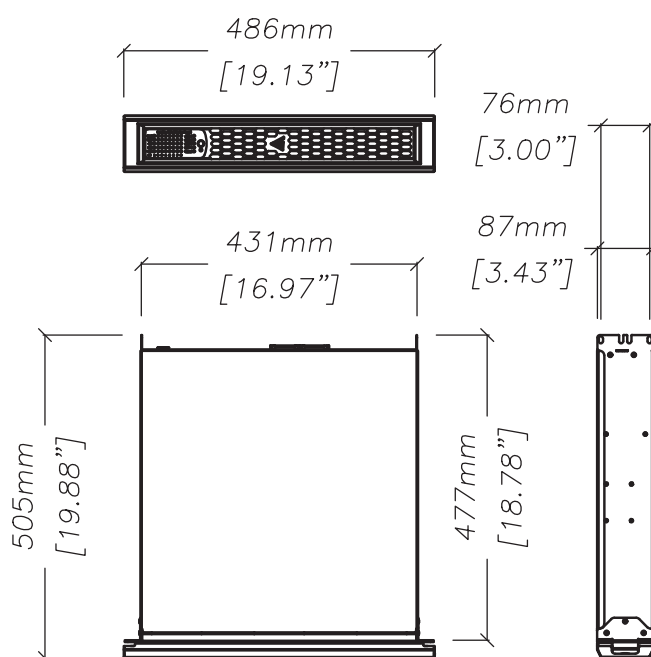
DCO amplifiers are based on highly efficient D-class architecture and offer 16 AES3 input channels - which makes them perfect for creating immersive sound systems. The convenient Phoenix connector offer ease of speaker wiring and additional analog inputs allow simple connection of alternative content sources.

DCO series is controlled using the built-in Web UI, giving one-stop access to all the functions and properties of the entire system, including input-to-output matrix, room EQ, automation, and more.

DCO-6000 is an intelligent DANA system amplifier offering 8 output channels of 750W into 4 Ohm.



## DIMENSIONS



## SAFETY INSTRUCTIONS

1. Do not use this equipment near water.
2. Clean only with dry cloth.
3. Do not block any ventilation openings. Install in accordance with the manufacturer's instructions.
4. Do not use near heat sources such as stoves, heat registers, radiators or other equipment (including amplifiers) that produces heat.
5. Do not use the unit near open fire sources.
6. Connect the unit only to the electric network with grounding. Use only electric plugs that provide grounding.
7. Protect the power cord from being walked on, pinched, or otherwise damaged.
8. Use only accessories specified by the manufacturer.
9. Unplug this unit during lightning storms or when unused for long periods of time.
10. Refer all servicing to qualified service personnel. Servicing is required when the system has been damaged in any way, such as power supply cord or plug is damaged, liquid has been spilled or objects have fallen into the unit, the unit has been exposed to rain or moisture, does not operate normally, or has been dropped.
11. WARNING - TO REDUCE THE RISK OF FIRE OR ELECTRIC SHOCK, DO NOT EXPOSE THIS SYSTEM UNIT TO RAIN OR MOISTURE.

## SPECIFICATIONS

Number of channels	8	
Power rating	<b>4 Ohm</b>	<b>8 x 750 W</b>
	8 Ohm	8 x 400 W
	16 Ohm	8 x 200 W
	8 Ohm bridge	4 x 1400 W
	16 Ohm bridge	4 x 700 W
Frequency range	20 Hz - 20 kHz	
Amplifier	Class D high efficiency	
Input sensitivity	+16dBu / +4dBu selectable	
Maximum input level	+22dBu / 10 dBu	
Input impedance	10 kOhm unbal., 20 kOhm bal.	
DSP	Full DANA compatibility 24bit 96kHz	
DSP functions	- Input gain	
	- Input-to-output matrix	
	- Room graphic, parametric	
	- EQ, Hi and Lo shelf	
	- Delay	
	- Speaker presets	
	- Output gain	
	- Master volume, mute, stand by	
	- Status monitoring	
	- Automation commands	
Crosstalk separation	100 dB @ 1 kHz	
THD	<0.5%	
Power consumption, 1/8 of max output power @ 8 Ohm	750 W	
Damping factor, 8 Ohm	> 500 @ 1kHz	
S/N ratio, analog	100 dB	
Connectors	- 8x 3-pin Phoenix analog input	
	- 4x 4-pin Phoenix speaker output	
	- RJ-45 Ethernet	
	- RJ-45 AES 1-8 input	
	- RJ-45 AES 9-16 input	
	- RJ-45 AES 1-8 link - RJ-45 AES 9-16 link - C19 mains input	
Dimensions (W×H×D)	486 × 87 × 505 mm, 2U	
Net weight	10 kg	