

Datasheet



P-AMP-THOR-24 series

Power amplifiers



Models:

P-AMP-1THOR-24-8

P-AMP-2THOR-24-8

P-AMP-3THOR-24-8

P-AMP-4THOR-24-8

P-AMP series offers a new dimension of simplicity when designing a cinema sound system. The series uses class D amplifier technology with switching mode power supply to provide energy-efficient operation and unprecedented reliability in just 2U of rack height.

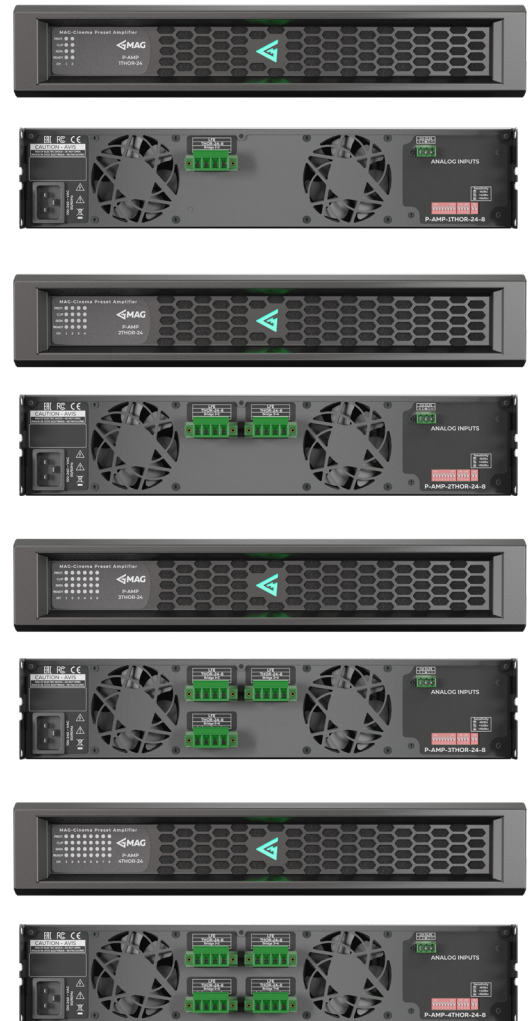
Each amplifier is specifically dedicated to a single speaker model. It includes a built-in preset providing crossover, limiter and speaker EQ, so setting the system up is easy with minimum steps required.

Every amplifier is provided with 3-pin phoenix input terminals and convenient phoenix output terminals. To easily couple the amplifier with the cinema processor, the input sensitivity switch is also provided.

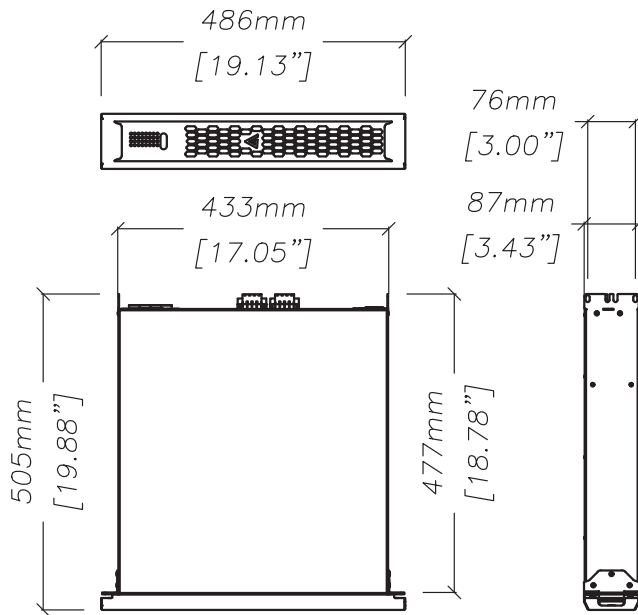
P-AMP-THOR24 series are specifically made to work with THOR 24 cinema subwoofers.

Nominal power rating		4 ohm	8 ohm	16 ohm
P-AMP-1THOR-24-8	bridge	CH 1+2	2500 W	1250 W
P-AMP-2THOR-24-8	bridge	CH 1+2	2500 W	1250 W
		CH 3+4	2500 W	1250 W
P-AMP-3THOR-24-8	bridge	CH 1+2	2500 W	1250 W
		CH 3+4 CH 5+6	2500 W	1250 W
P-AMP-4THOR-24-8	bridge	CH 1+2	2500 W	1250 W
		CH 3+4 CH 5+6	2500 W	1250 W
		CH 7+8	2500 W	1250 W

Misc. parameters		
Frequency range	20 Hz - 20 kHz	
Amplifier	Class D high efficiency	
Input sensitivity	+16dBu / +4dBu / -8dBu selectable	
Maximum input level	+17dBu / 5 dBu / -7 dBu	
Input impedance	11 kOhm unbal., 22 kOhm bal.	
Crosstalk separation	100 dB @ 1 kHz	
THD	<0.5%	
Power consumption, 1/8 of max output power @ 8 Ohm	P-AMP-1THOR-24-8	315 W
	P-AMP-2THOR-24-8	630 W
	P-AMP-3THOR-24-8	945 W
	P-AMP-4THOR-24-8	1260 W
Damping factor, 8 Ohm	> 500 @ 1kHz	
S/N ratio, analog	100 dB	
Connectors	4x 3-pin Phoenix input, 2x 4-pin Phoenix output C19 mains input,	
Dimensions (W×H×D)	483 × 88 × 508 mm, 2U	
Net weight	P-AMP-1THOR-24-8	8,7 kg
	P-AMP-2THOR-24-8	9,7 kg
	P-AMP-3THOR-24-8	12 kg
	P-AMP-4THOR-24-8	13 kg



DIMENSIONS



AMPLIFIER GAIN

Use this amplifier gain table to look up gain value for any given combination of channel rated power and input gain.

Rated power	+16 dBu	+4 dBu	-8 dBu
150 W	14.0 dB	26.0 dB	38.0 dB
200 W	15.2 dB	27.2 dB	39.2 dB
300 W	17.0 dB	29.0 dB	41.0 dB
350 W	17.7 dB	29.7 dB	41.7 dB
400 W	18.3 dB	30.3 dB	42.3 dB
500 W	19.2 dB	31.2 dB	43.2 dB
600 W	20.0 dB	32.0 dB	44.0 dB
700 W	20.7 dB	32.7 dB	44.7 dB
750 W	21.0 dB	33.0 dB	45.0 dB
800 W	21.3 dB	33.3 dB	45.3 dB
1000 W	22.2 dB	34.2 dB	46.2 dB
1200 W	23.0 dB	35.0 dB	47.0 dB
1400 W	23.7 dB	35.7 dB	47.7 dB
1500 W	24.0 dB	36.0 dB	48.0 dB
1600 W	24.3 dB	36.3 dB	48.3 dB
2000 W	25.2 dB	37.2 dB	49.2 dB
2500 W	26.2 dB	38.2 dB	50.2 dB
3200 W	27.3 dB	39.3 dB	51.3 dB
4000 W	28.3 dB	40.3 dB	52.3 dB

SAFETY INSTRUCTIONS

1. Do not use this equipment near water.
2. Clean only with dry cloth.
3. Do not block any ventilation openings. Install in accordance with the manufacturer's instructions.
4. Do not use near heat sources such as stoves, heat registers, radiators or other equipment (including amplifiers) that produces heat.
5. Do not use the unit near open fire sources.
6. Connect the unit only to the electric network with grounding. Use only electric plugs that provide grounding.
7. Protect the power cord from being walked on, pinched, or otherwise damaged.
8. Use only accessories specified by the manufacturer.
9. Unplug this unit during lightning storms or when unused for long periods of time.
10. Refer all servicing to qualified service personnel. Servicing is required when the system has been damaged in any way, such as power supply cord or plug is damaged, liquid has been spilled or objects have fallen into the unit, the unit has been exposed to rain or moisture, does not operate normally, or has been dropped.
11. **WARNING - TO REDUCE THE RISK OF FIRE OR ELECTRIC SHOCK, DO NOT EXPOSE THIS SYSTEM UNIT TO RAIN OR MOISTURE.**