

AQ-4000

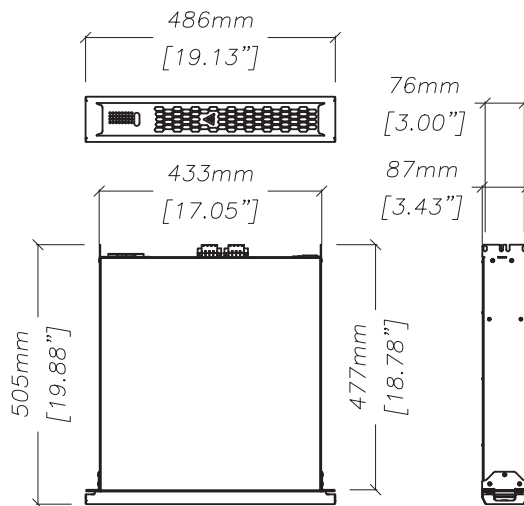
4 channel power amplifier

The ANALOG series offer an ultimate solution for professional cinema amplification. These heavy-duty power amplifiers each come with different power ratings and require all the same compact 2U rack height. The hybrid versions provide various power per channel which allows the amplifier to be tailored for particular project needs while at the same time offering significant energy costs savings.

The AQ-4000 is a 4-channel analog cinema power amplifier providing 1000W into 4 Ohm for each channel.



DIMENSIONS



SPECIFICATIONS

Power rating	4 Ohm	4 x 1000 W
	8 Ohm	4 x 500 W
	16 Ohm	4 x 250 W
	8 Ohm bridge	2 x 2000 W
	16 Ohm bridge	2 x 1000 W
Frequency range	20 Hz - 20 kHz	
Amplifier	Class D high efficiency	
Input sensitivity	+16dBu / +4dBu / -8dBu selectable	
Maximum input level	+17dBu / 5 dBu / -7 dBu	
Input impedance	11 kOhm unbal., 22 kOhm bal.	
Crosstalk separation	100 dB @ 1 kHz	
THD	<0.5%	
Power consumption, 1/8 of max output power @ 8 Ohm	540 W	
Damping factor, 8 Ohm	> 500 @ 1kHz	
S/N ratio, analog	100 dB	
Connectors	8x 3-pin Phoenix input, 4x 4-pin Phoenix output C19 mains input,	
Dimensions (W×H×D)	486 × 87 × 505 mm, 2U	
Net weight	11,5 kg	

SAFETY INSTRUCTIONS

1. Do not use this equipment near water.
2. Clean only with dry cloth.
3. Do not block any ventilation openings. Install in accordance with the manufacturer's instructions.
4. Do not use near heat sources such as stoves, heat registers, radiators or other equipment (including amplifiers) that produces heat.
5. Do not use the unit near open fire sources.
6. Connect the unit only to the electric network with grounding. Use only electric plugs that provide grounding.
7. Protect the power cord from being walked on, pinched, or otherwise damaged.
8. Use only accessories specified by the manufacturer.
9. Unplug this unit during lightning storms or when unused for long periods of time.
10. Refer all servicing to qualified service personnel. Servicing is required when the system has been damaged in any way, such as power supply cord or plug is damaged, liquid has been spilled or objects have fallen into the unit, the unit has been exposed to rain or moisture, does not operate normally, or has been dropped.
11. WARNING - TO REDUCE THE RISK OF FIRE OR ELECTRIC SHOCK, DO NOT EXPOSE THIS SYSTEM UNIT TO RAIN OR MOISTURE.