



# WA-25

## PAN/TILT WALL ARM

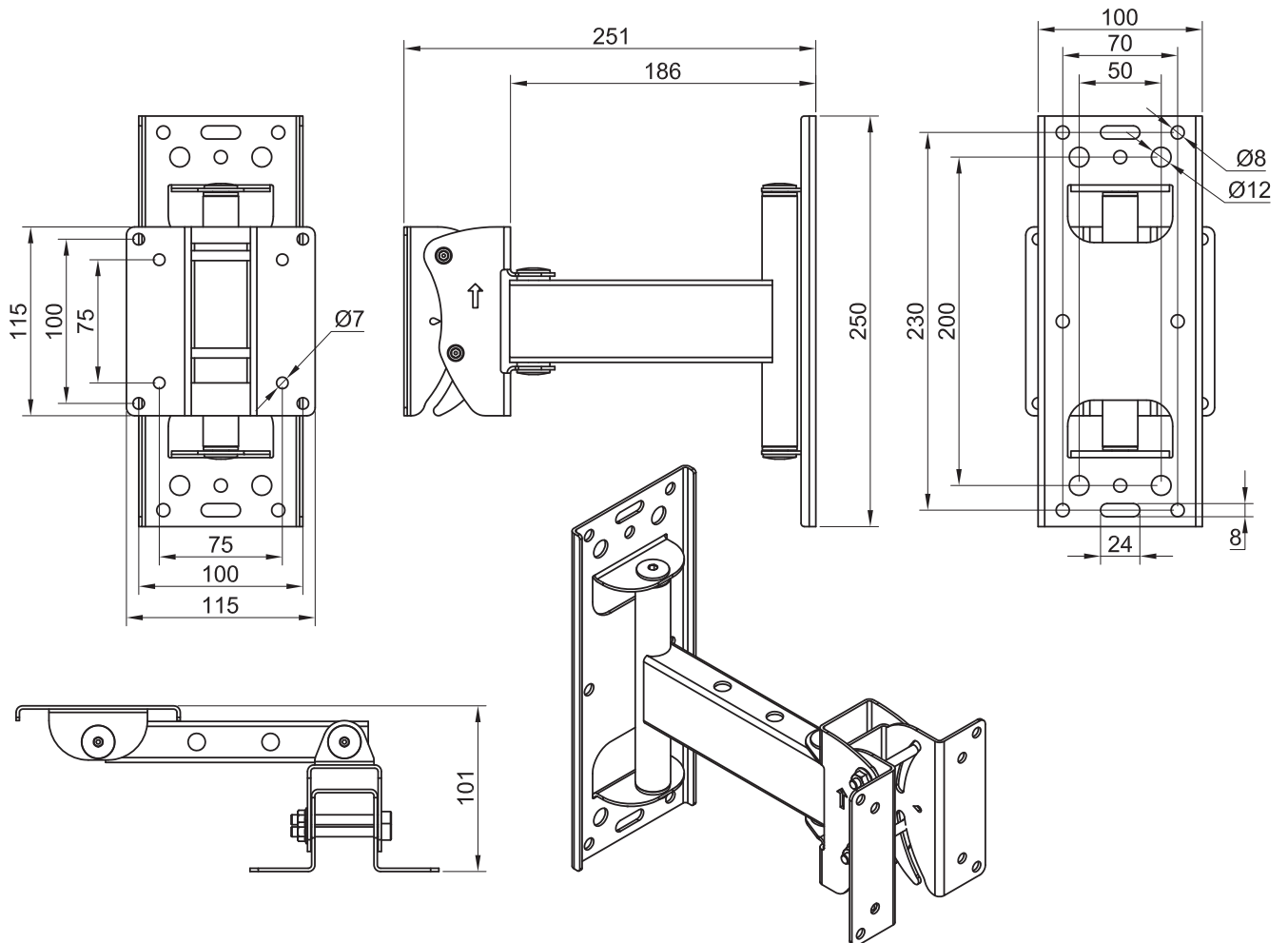
WA-25 is a versatile pan/tilt wall arm mounting adapter. Suitable for small to large surround speakers with maximum load weight of 45 kg.



### Main features:

- Pan and tilt
- VESA 100x100, and 75x75 mounting hole patterns
- 250x100 wall mounting plate

Functions	Distance bracket Pan Tilt
Mounting holes	VESA 100x100 mm VESA 75x75 mm
Wall mounting plate	250x100 mm
Pan angle	+180 deg / -180 deg
Tilt angle	+5 deg / -25 deg
Load limit	45 kg
Dimensions	250x251x115 mm
Weight	1,9 kg
Item No	0200150025



# WA-25

## PAN/TILT WALL ARM

### Surround speaker wall mounting guide

- Unscrew the upper M6x55 bolt and disassemble the WA-25 as shown on pic. 1 if is assembled.
- Install the wall assembly onto the wall using holes provided in wall plate (pic. 2) (Mounting bolts are not included). Arrow on the joint should be pointing UP.
- Install the speaker adapter onto the speaker with VESA 100x100 or 75x75 mounting holes (pic. 3) (Mounting bolts are not included).
- Mount the speaker with speaker onto the wall assembly, until the support of the speaker adapter finds its rest on the M6 bolt of the wall assembly (pic.4).
- From this point on, speaker can be released as it doesn't require any additional support (pic. 5).
- Tilt the speaker backwards, insert and screw the M6x55 hex bolt loosely into the socket. (pic. 6).
- Choose the appropriate tilt angle, and tighten both M6x55 bolts. (pic. 7).
- WA-25 may be reassembled to achieve shorter mounting distances (pic. 8).

Use DIN 911 5mm hexagonal wrench to operate pan and tilt angle bolts.

