

LE-SUB-208U-bracket



Wall and ceiling horizontal mounting bracket

The LE-SUB-208U-bracket is a mounting accessory designed for the LED SUB 208 screen subwoofers, offering a compact and low-profile installation solution. This U-bracket supports the horizontal installation of the LED SUB 208 speakers for precise alignment with the RLP point.

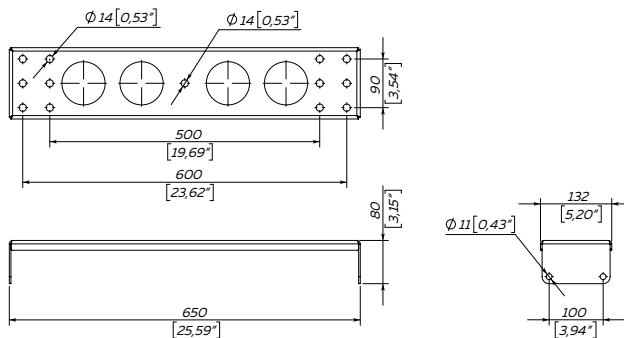
The bracket is equipped with an extensive array of surface mounting holes accommodates various installation scenarios, ensuring flexibility and adaptability for different setups.



SPECIFICATIONS

Functions	horizontal U-mounting bracket
Compatibility	LED SUB 208
Load limit	45 kg / 100 lbs
Dimensions	650 x 80 x 132 mm / 25,59" x 3,15" x 5,20"
Weight	2,31 kg / 5,1 lbs

DIMENSIONS

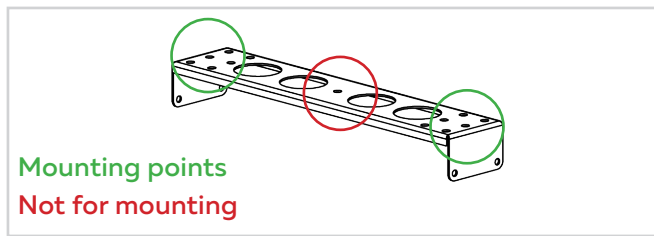


SAFETY INSTRUCTIONS

1. Entrust mounting equipment to the experienced professionals following current safety instructions. Improperly installed equipment can result in property damage, personal injury and/or liability to the installing contractor.
2. Always use safety cables to prevent equipment from falling during setup or while exploitation.
3. Carefully check the mounting surface of the wall. Make sure wall material can hold the weight of the speaker with the mounting added.
4. Make sure to securely fix all the mounting bolts. Loose bolts may become unscrewed with time due to vibration and create safety hazard.

MOUNTING

Attention! Never use the central guide pivot point for mounting!

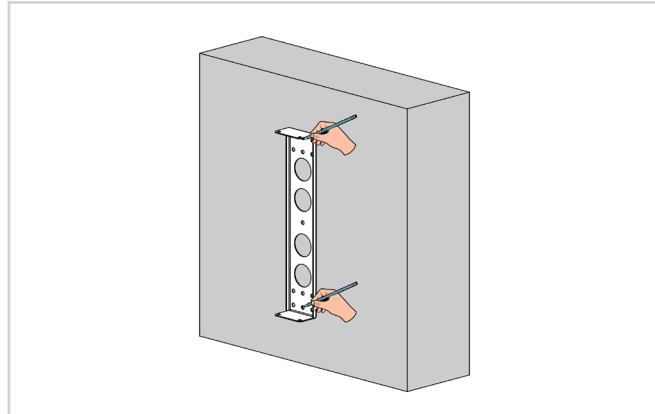
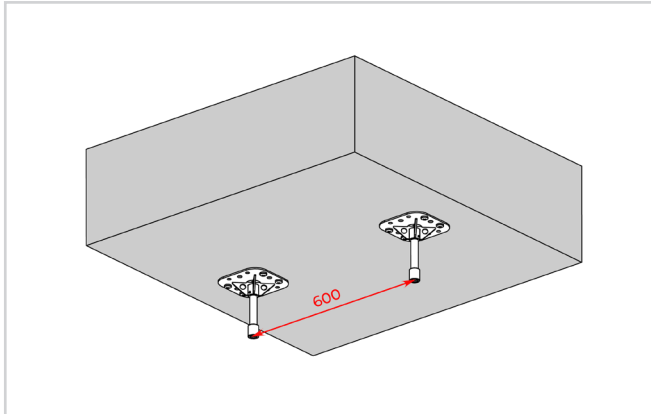


Horizontal ceiling mounting

1. Install 2 ceiling mounts with CMT-D pipes on the ceiling so that the distance between their centers is equal to the distance between the mounting screws, i.e. 600 mm.

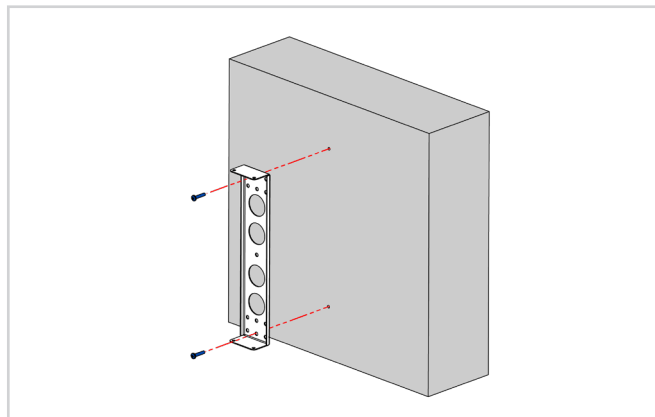
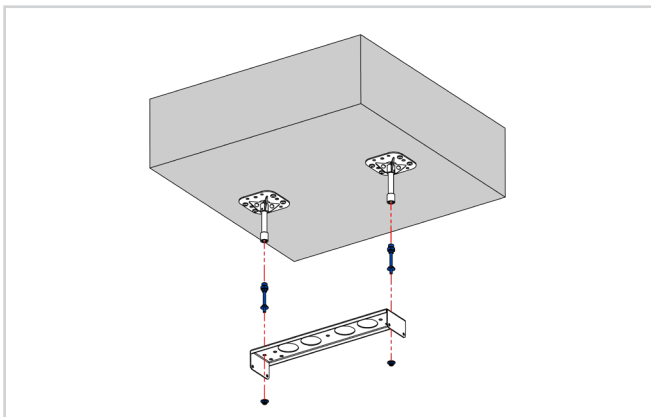
Vertical wall mounting

1. Lean the bracket vertically against the wall and mark the places for the holes. Drill the holes according to the markings.

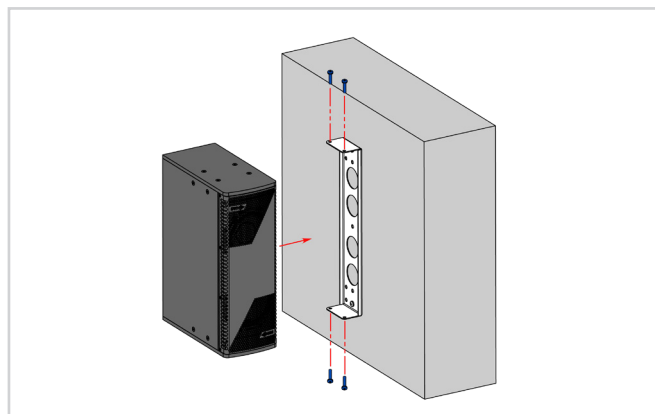
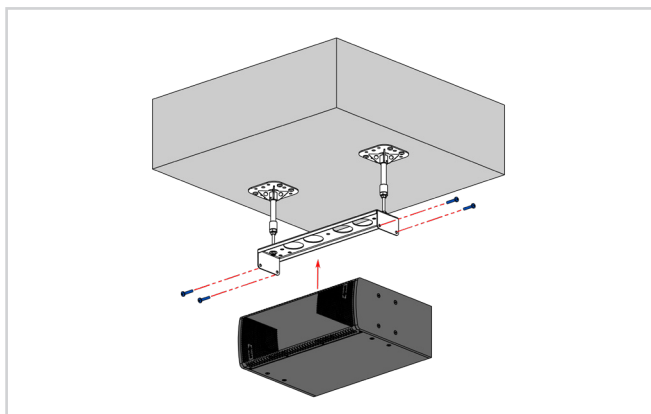


2. Using the CMT-D100-M10 adapter, screw the brackets to the pipes as shown in the picture.

2. Screw the bracket to the wall using the anchor bolts.



3. To install the LED SUB 208 loudspeaker, unscrew its side screws. Bring it to the bracket so that its holes coincide with the holes of the bracket and screw in the fixing screws.



ATTENTION!!! THE BRACKET CANNOT BE INSTALLED AND NOT FIXED AT ONE CENTRAL POINT.