

TOWER SCREEN SYSTEM



Modular speaker system

TOWER SCREEN SYSTEM is the next generation modular screen system for top-class cinema halls, which establishes new standard of sound clarity, presence, and performance.

TOWER SCREEN SYSTEM is designed specifically to fit into different cinema hall sizes while delivering uniform performance in each and every installation.

TOWER SCREEN SYSTEM is based on set of easily connectable acoustic cabinets, complete with the rigging and flying hardware.

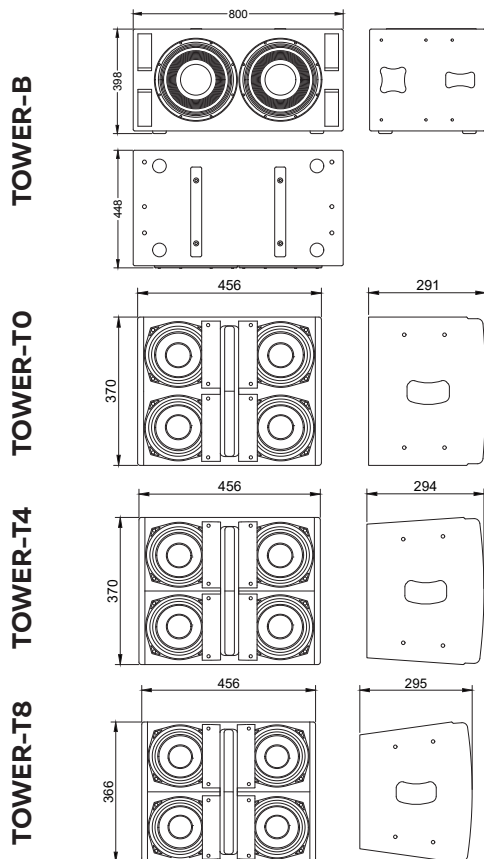
Acoustic cabinets are carefully designed to merge into unified system, regardless of the actual array size. This allows to deliver the signature sound performance into any cinema hall of any size.

Simple and effective rigging system features all-purpose elements allowing to assemble the TOWER SCREEN SYSTEM into flown clusters or ground stacks.

Modular solution not only cuts down the installation time, but also allows for optimal stock with fewer components to worry about while designing the particular system.



DIMENSIONS



SPECIFICATIONS

System	Tower-T0/T4/T8
Type	Tower Screen System Mid-Hi module
Frequency response (±3)	100-19000 Hz
Max continuous SPL ²	125 dB (calculated)
Sensitivity (1W/1m half-space) ¹	98 dB Mid / 113 dB Hi
LF Transducer	4 x 6"
HF Transducer	2 x 1"
Horizontal coverage	90 deg
Vertical splay angle	0 deg (Tower-T0-44, Tower-T0-816) 4 deg (Tower-T4-44, Tower-T4-816) 8 deg (Tower-T8-44, Tower-T8-816)
Impedance	4 Ohm Mid / 4 Ohm Hi (Tower-T0/T4/T8-44) 8 Ohm Mid / 16 Ohm Hi (Tower-T0/T4/T8-816)
Rated power ³	520 W Mid / 100 W Hi
Connectors	Phoenix
Mounting options	Integrated rigging hardware
Dimensions (W x H x D)	456 x 370 x 291 mm (Tower-T0-44, Tower-T0-816) 456 x 370 x 294 mm (Tower-T4-44, Tower-T4-816) 456 x 366 x 295 mm (Tower-T8-44, Tower-T8-816)
Net weight	21,6 kg
Shipping weight	24,0 kg

CONNECTIONS

Use Hi-pass filter to prevent speaker damage and distorted sound by eliminating low non-audible frequencies in input signal.

Do not exceed input powers, abovementioned in specifications, while exploiting the speaker system.

Speaker system comes with barrier strip screw terminal for connection to amplifier.

For detailed information regarding TOWER SCREEN SYSTEM rigging, connections and setup, please refer to the **TOWER SCREEN SYSTEM User Manual**.

SAFETY INSTRUCTIONS

1. Do not pour liquids on speaker system - this may cause driver cone destruction and unappealing speaker appearance. Do not allow direct sunlight on speaker cone - this will reduce its resource dramatically. For fire safety do not install speaker system near open flames or heating elements.

2. Do not use speaker system with damaged speaker cable - this is an electric shock hazard and fire hazard.

3. Make sure the speaker system is firmly set up on ceiling, stage, or wall (where applicable).

4. While setting speaker system up on slope or slippery surface, make necessary arrangements to avoid its movement due to its vibration.

5. The speaker system is capable of delivering significant sound pressure levels. To avoid permanent or temporary hearing damage, prolonged exposure to sound pressure levels exceeding 90 dB should be limited.

System	Tower-B
Type	Tower Screen System subwoofer
Frequency response (±3)	42-200 Hz
Max continuous SPL ²	129 dB (calculated)
Sensitivity (1W/1m half-space) ¹	98 dB
LF Transducer	2 x 12"
Impedance	4 Ohm
Rated power ³	1200 W
Connectors	Phoenix
Mounting options	Integrated rigging hardware
Dimensions (W x H x D)	800 x 398 x 448 mm
Net weight	38,2 kg
Shipping weight	41,4 kg

(1) – Based on 2 hours power test, IEC filtered pink noise, 6 dB crest factor

¹ – dB SPL, IEC 60268-5 pink noise, 1W / 1m

² – dB SPL RMS, IEC 60268-5 pink noise, measured on nominal power

³ – 2 hour power test, IEC filtered noise, 6 dB crest factor