

THOR 24A

Powered subwoofer



It's impossible to imagine a modern cinema without thunderous deep sound. For the cinemas that long for it, MAG Cinema provides a range of high-performance, rigid and reliable cinema subwoofers.

Based on extensive experience of pro-audio, we have built subwoofers designed to withstand most demanding cinema soundtracks imaginable. Own design and production of low-frequency transducers and effective enclosures fit perfectly global cinema experience, which MAG Cinema speakers surely have contributed to.

THOR 24A combines the performance of THOR 24 with convenience of self powered cabinet providing advanced DSP for intricate fine-tuning.

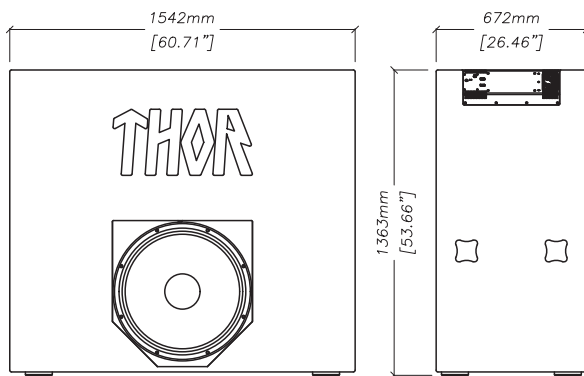
With frequency range extending from 18 to 120Hz THOR 24A reproduces cinema track features beyond capabilities of conventional subwoofers.

THOR 24A features extremely powerful 24" woofer with extended linear excursion and 3200W power amplifier.

Rigid, heavily reinforced enclosure was made as slim as possible to fit into the limited behind the screen space.



DIMENSIONS



SPECIFICATIONS

Frequency response (± 3 dB)	18 - 120 Hz
Max peak SPL (1W / 1m)	140 dB
LF Transducer	24", 4,5" voice coil
Amplifier	Class D high efficiency
Input sensitivity	+4 dBV
Nominal amplifier power	3200 W
Connectors	3-pin Phoenix input, 3-pin Phoenix link PowerCon mains input, PowerCon mains link
Dimensions (WxHxD)	1542x1363x672 mm / 60.71"x53.66"x26.46"
Net weight	157 kg / 341 lbs
Shipping weight	167 kg / 363 lbs
Enclosure materials	Plywood; wear-resistant paint

CONNECTIONS

THOR 24A is supplied with CN-0010 PowerCon-E/F CEE 7/7 mains cable (part number 00-00005561). Use only original or supplied by manufacturer mains cables!

THOR 24A is equipped with PowerCon B mains power outlets for mains link to additional THOR 24A.

THOR 24A series systems' nominal mains power specifications: AC 220V, 50/60 Hz.

Nominal voltage tolerance: 100 - 250 V.

THOR 24A series systems are equipped with Phoenix INPUT and Phoenix LINK connectors for signal connection.

Use of balanced XLR connector cables is recommended. In case when balanced XLR connections are not available, unbalanced XLR connection is acceptable.

For linking the additional system to the same signal bus LINK connector may be used.

SAFETY INSTRUCTIONS

1. Do not pour liquids on speaker system - this may cause driver cone destruction and unappealing speaker appearance. Do not allow direct sunlight on speaker cone - this will reduce its resource dramatically. For fire safety do not install speaker system near open flames or heating elements.
2. Do not use speaker system with damaged speaker cable - this is an electric shock hazard and fire hazard.
3. Make sure the speaker system is firmly set up on ceiling, stage, or wall (where applicable).
4. While setting speaker system up on slope or slippery surface, make necessary arrangements to avoid its movement due to its vibration.
5. The speaker system is capable of delivering significant sound pressure levels. To avoid permanent or temporary hearing damage, prolonged exposure to sound pressure levels exceeding 90 dB should be limited.

