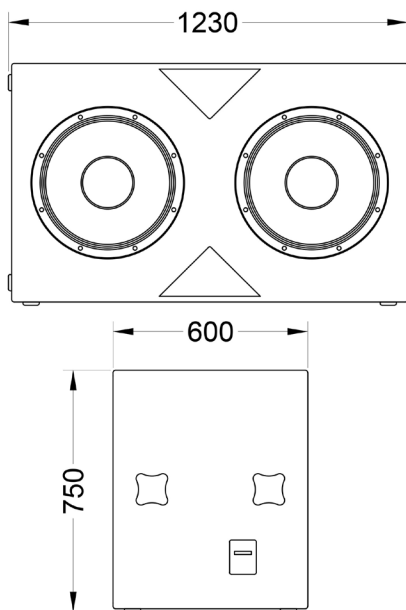




# T-SUB

## CINEMA SUBWOOFER

The "workhorse" of many and many installations, T-Sub's dual 18" effective design delivers almost subsonic support for your cinema speaker system. Thunderous explosions and dramatic orchestral music have just gained a new level of credibility.



### Main features:

- 2000W nominal power
- 2x18" woofer with 4" voice coil
- 139 dB Max SPL
- Efficient vented box design

Frequency Response (-10dB)	25–300 Hz
Max SPL (peak)	139 dB (calculated)
Sensitivity (1W/1m)	100 dB
LF Transducer	2x18"
Impedance	4 Ohm
Nominal power	2000 W
Program power	4000 W
Peak power	8000 W

Connectors	Barrier strip screw terminal
Dimensions (W×H×D)	1230x750x600 mm
Net weight	99 kg
Shipping weight	108 kg
Enclosure materials	Plywood; wear-resistant paint
Color	Black

Acoustical & Electrical data

Connections and physical data