

SUR-C6

Surround speaker



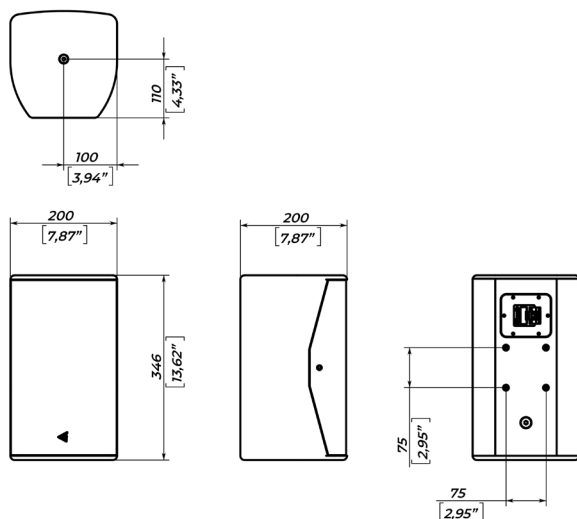
Whatever design you have in mind, MAG Cinema will surely surprise you. At the request of our customers, a new standard for small-format permanent installations was developed.

Our surround speakers come in many shapes, sizes, and performance capabilities, starting with small and professional home cinemas and up to large-scale indoor and outdoor theaters. Provided a 7-year warranty, it is a kind of equipment you can rely on for years.

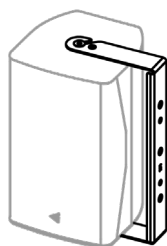
The SUR-C6 is suitable for small and medium-sized multi-channel surround sound installations, despite its small size. They have high-quality sound and are easy to install and configure. The secret behind this speaker lies in high-performance low-distortion transducers and patented wood-polyurethane composite housing technology. The SUR-C6 is based on a 6.5-inch woofer and can be installed horizontally, vertically on the wall, or on the ceiling using the U-bracket L6C.



DIMENSIONS



ACCESSORIES



Lira L6C
Wall or ceiling
mounting for SUR-C6

SAFETY INSTRUCTIONS

1. Do not pour liquids on the speaker system - this may cause driver cone destruction and an unappealing speaker appearance. Do not allow direct sunlight on the speaker cone in order to prevent premature failure. Do not install a speaker system near open flames or heating elements.
2. Do not use a speaker system with damaged connectors or speaker cables so as not to cause an electric shock hazard or fire hazard.
3. Make sure the speaker system is firmly set up on the floor, stage, or wall (where applicable).
4. While setting the speaker system up on an angled or slippery surface, make the necessary arrangements to avoid vibration-induced movement.
5. Speaker system is capable of delivering significant sound pressure levels. To avoid permanent or temporary hearing damage, prolonged exposure to sound pressure levels exceeding 90 dB should be limited.

SPECIFICATIONS

Frequency Response (-10dB)	80 - 20000 Hz
Max continuous SPL ²	112,5 dB
Sensitivity (1W/1m half-space) ¹	94 dB
Sensitivity (1W/1m free-space) ¹	91 dB
LF driver	6,5", 1,75" VC
HF driver	0,75" throat, 1,35" VC
Nominal coverage angle	90° x 60°, rotatable horn
Impedance	8 Ohm (SUR-C6-8) 16 Ohm (SUR-C6-16)
Nominal power ²	150 W
Connectors	Phoenix
Dimensions (W x H x D)	346 x 200 x 200 mm 13,62" x 7,87" x 7,87"
Weight net / shipping	6,4 kg / 7,2 kg 14,1 lbs / 15,9 lbs
Mounting	VESA 75 x 75 Safety mounting point
Enclosure materials	Plywood; MDF; wear-resistant paint
Grill	Steel grill

¹ - pink noise, filtered according to AES 2 - 2012, crest factor 12 dB
² - based on transducer power measured according to AES 2 - 2012

CONNECTIONS

Always use a high-pass filter (HPF) to prevent speaker damage and distorted sound by eliminating low non-audible frequencies in the input signal.

Do not exceed input power ratings mentioned in specifications while exploiting the speaker system.

The speaker system comes with a Phoenix terminal for easy connection.

Signal +	+ terminal
Signal -	- terminal
HPF frequency, no less than	90 Hz
HPF order, no less than	18 dB/oct
Recommended amplifier power	150 - 300 W on nominal impedance