

SUR-8S Slim surround speaker



Whatever design you have in mind, MAG Cinema will surely surprise you. Starting with small and professional home cinemas and up to large-scale indoor and outdoor theaters, our surround speakers come in many shapes, sizes, and performance capabilities.

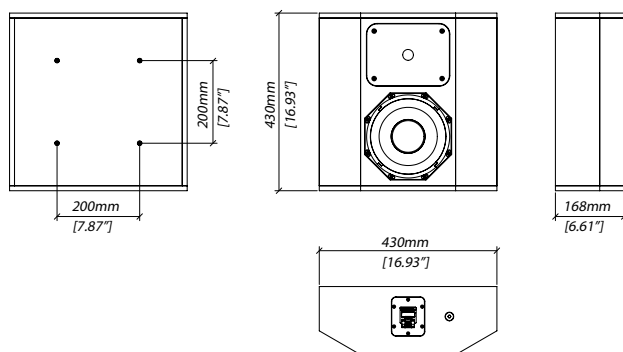
Based on our own carefully designed and fine-tuned components, our surround systems provide smooth operation and optimal coverage and are approved to be used with the latest 3D sound cinema standards. With a comprehensive range of installation accessories, including fittings and brackets, MAG Cinema surround speakers are easily mounted for quick overall installation times.

The SUR-8S pushes the boundaries with its remarkably slim design and impressive acoustical performance for its size. Its long-excursion 8" woofer, engineered for minimal distortion, ensures a smooth low-frequency experience throughout the entire hall. Meanwhile, the high-precision HF driver delivers accurate surround effects, seamlessly integrating with adjacent speakers.

For easy installation, the SUR-8S is equipped with VESA 200 x 200 mounting points on the back, along with an M10 safety point to ensure a secure, hassle-free setup.



DIMENSIONS



SPECIFICATIONS

Frequency response (-6 dB)	90 - 18000 Hz
Max continuous SPL ²	118 dB
Sensitivity (1W/1m half-space) ¹	95 dB
Sensitivity (1W/1m free-space) ¹	92 dB
Drivers	8" LF 1" HF
Nominal coverage	90° x 55°
Nominal impedance	8 Ohm (SUR-8S-8); 16 Ohm (SUR-8S-16)
Rated power ³	200 W
Connectors	Phoenix
Dimension (W x H x D)	430 x 430 x 168 mm 16,93" x 16,93" x 6,61"
Net weight	11 kg / 24,2 lbs
Gross weight	13,5 kg / 29,7 lbs
Mounting	4 x M10 VESA 200 x 200 1 x M10 safety point

¹ - dB SPL, IEC 60268-5 pink noise, 1W / 1m, half- and free- space
² - dB SPL RMS, IEC 60268-5 pink noise, measured on nominal power
³ - 2 hour power test, IEC filtered noise, 6 dB crest factor

SAFETY INSTRUCTIONS

1. Do not pour liquids on speaker system - this may cause driver cone destruction and unappealing speaker appearance. Do not allow direct sunlight on speaker cone - this will reduce its resource dramatically. For fire safety do not install speaker system near open flames or heating elements.
2. Do not use speaker system with damaged speaker cable - this is an electric shock hazard and fire hazard.
3. Make sure the speaker system is firmly set up on ceiling, stage, or wall (where applicable).
4. While setting speaker system up on slope or slippery surface, make necessary arrangements to avoid its movement due to its vibration.
5. The speaker system is capable of delivering significant sound pressure levels. To avoid permanent or temporary hearing damage, prolonged exposure to sound pressure levels exceeding 90 dB should be limited.

CONNECTIONS

Use Hi-pass filter to prevent speaker damage and distorted sound by eliminating low non-audible frequencies in input signal.
Do not exceed input powers, abovementioned in specifications, while exploiting the speaker system.
Speaker system comes with Phoenix connectors for connection to amplifier.

Connection:	
Signal +	+ Terminal
Signal -	- Terminal
High pass filter	80 Hz BW24
Recommended amplifier power	200 - 400 W on nominal impedance

