

SUR-800

Cinema
surround speaker

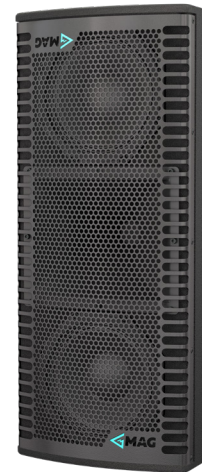


Whatever design you have in mind, MAG Cinema will surely surprise you. Starting with small and professional home cinemas and up to large-scale indoor and outdoor theaters, our surround speakers come in many shapes, sizes, and performance capabilities.

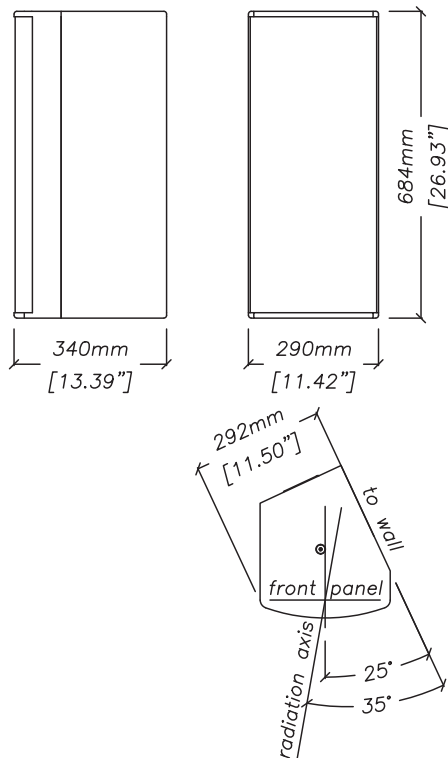
Based on our own carefully designed and fine-tuned components, our surround systems provide smooth operation and optimal coverage, and are approved to be used with latest 3D sound cinema standards.

With comprehensive range of installation accessories, including fittings and brackets, MAG Cinema screen speakers are easily mounted for quick overall installation times. Provided 7-year warranty, it is a kind of equipment you can rely on for years.

SUR-800 was designed specifically as ultra-thin high-power surround speaker. It features high sensitivity, considerable power handling and optimized asymmetrical coverage pattern.



DIMENSIONS



SPECIFICATIONS

Frequency response (-6/+3)	75 - 18000 Hz
Max continuous SPL ²	124,5 dB
Sensitivity (1W/1m half-space) ¹	100 dB
Sensitivity (1W/1m free-space) ¹	97 dB
Drivers	2 x 8" + 1,5"
Coverage horizontal	80°
Coverage vertical	40°
Front panel pan angle	25° (from wall)
Acoustical radiation horizontal axis	35° (from wall)
Nominal impedance	4 Ohm
Rated power ³	600 W
Connectors	Phoenix
Dimension (W x H x D)	290 x 684 x 340 mm / 11,42" x 26,93" x 13,39"
Net weight	20,8 kg / 45,86 lbs
Gross weight	22,8 kg / 50,27 lbs
Mounting	2 x M10 mounting points 1 x M10 safety point 4 x M5 VESA 100 x 100
Enclosure materials	Plywood, MDF, wear-resistant paint
Colour	Black

¹ - dB SPL, IEC 60268-5 pink noise, 1W / 1m, half- and free- space
² - dB SPL RMS, IEC 60268-5 pink noise, measured on nominal power
³ - 2 hour power test, IEC filtered noise, 6 dB crest factor

CONNECTIONS

Use Hi-pass filter to prevent speaker damage and distorted sound by eliminating low non-audible frequencies in input signal.

Do not exceed input powers, abovementioned in specifications, while exploiting the speaker system.

Speaker system comes with barrier strip screw terminal for connection to amplifier.

Connection:	
Signal +	+ pin
Signal -	- pin
High pass filter	75 Hz BW24
Recommended amplifier power	600 - 1200 W on nominal impedance

SAFETY INSTRUCTIONS

1. Do not pour liquids on speaker system - this may cause driver cone destruction and unappealing speaker appearance. Do not allow direct sunlight on speaker cone - this will reduce its resource dramatically. For fire safety do not install speaker system near open flames or heating elements.
2. Do not use speaker system with damaged speakON or speaker cable - this is an electric shock hazard and fire hazard.
3. Make sure the speaker system is firmly set up on ceiling, stage, or wall (where applicable).
4. While setting speaker system up on slope or slippery surface, make necessary arrangements to avoid its movement due to its vibration.
5. The speaker system is capable of delivering a significant sound pressure levels. To avoid permanent or temporary hearing damage, prolonged exposure to sound pressure levels exceeding 90 dB should be limited.

