

# SUR-1200

Cinema  
surround speaker



Whatever design you have in mind, MAG Cinema will surely surprise you. Starting with small and professional home cinemas and up to large-scale indoor and outdoor theaters, our surround speakers come in many shapes, sizes, and performance capabilities.

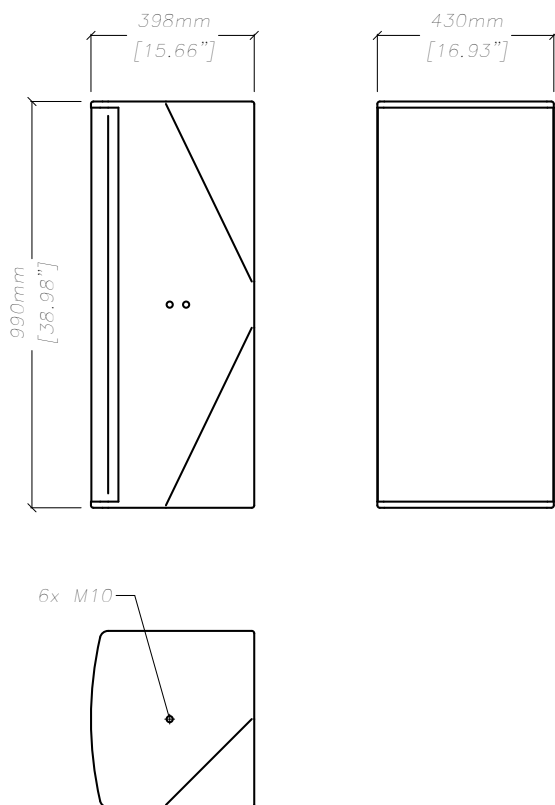
Based on our own carefully designed and fine-tuned components, our surround systems provide smooth operation and optimal coverage, and are approved to be used with latest 3D sound cinema standards.

SUR-1200 is a high-power frontal surround speaker specifically designed to deliver necessary SPL and coverage for extremely large cinema halls. It houses two 12" woofers and 4" voice coil high-frequency driver, providing impressive 1200W of nominal power handling and SPL peaking at 137,5 dB.

SUR-1200 has received a special enclosure design, called in to minimize the frontal footprint and improve fit into cinema hall's interior design.



## DIMENSIONS



## SPECIFICATIONS

Frequency response (-6/+3)	50 - 18000 Hz
Max continuous SPL <sup>2</sup>	131,5 dB
Sensitivity (1W/1m half-space) <sup>1</sup>	103,5 dB
Sensitivity (1W/1m free-space) <sup>1</sup>	100,5 dB
Drivers	2 x 12" + 2"
Nominal coverage HxV	80° x 70°
Acoustical radiation horizontal axis	0° (from wall)
Impedance	4 Ohm
Rated power <sup>3</sup>	1200 W
Connectors	Phoenix
Dimensions (W x H x D)	430 x 990 x 398 mm / 16,93" x 38,98" x 15,67"
Net weight	45 kg / 99,21 lbs
Shipping weight	48 kg / 105,82 lbs
Mounting	4 x M10 mounting points 2 x M10 safety point
Enclosure materials	Plywood; wear-resistant paint
Grill	Steel grill

<sup>1</sup> - dB SPL, IEC 60268-5 pink noise, 1W / 1m, half- and free- space  
<sup>2</sup> - dB SPL RMS, IEC 60268-5 pink noise, measured on nominal power  
<sup>3</sup> - 2 hour power test, IEC filtered noise, 6 dB crest factor

## CONNECTIONS

Use Hi-pass filter to prevent speaker damage and distorted sound by eliminating low non-audible frequencies in input signal.

Do not exceed input powers, abovementioned in specifications, while exploiting the speaker system.

Speaker system comes with barrier strip screw terminal for connection to amplifier.

Connection:	
Signal +	+ Terminal
Signal -	- Terminal
High pass filter:	50 Hz BW24
Recommended amplifier power	1200 - 2400 W on nominal impedance

## SAFETY INSTRUCTIONS

1. Do not pour liquids on speaker system - this may cause driver cone destruction and unappealing speaker appearance. Do not allow direct sunlight on speaker cone - this will reduce its resource dramatically. For fire safety do not install speaker system near open flames or heating elements.

2. Do not use speaker system with damaged speakON or speaker cable - this is an electric shock hazard and fire hazard.

3. Make sure the speaker system is firmly set up on ceiling, stage, or wall (where applicable).

4. While setting speaker system up on slope or slippery surface, make necessary arrangements to avoid its movement due to its vibration.

5. The speaker system is capable of delivering a significant sound pressure levels. To avoid permanent or temporary hearing damage, prolonged exposure to sound pressure levels exceeding 90 dB should be limited.

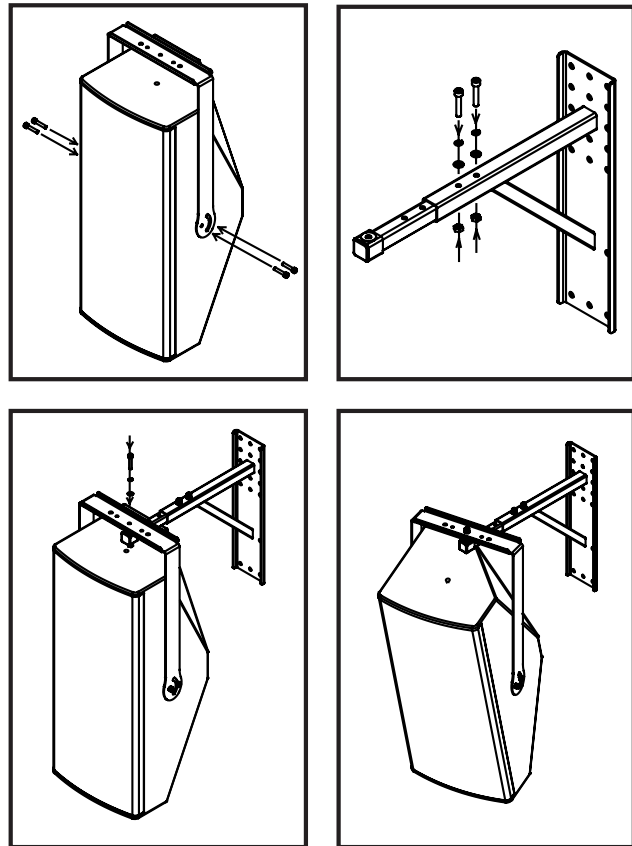


## MOUNTING

### Suspending SUR-1200 onto wall using L1200A bracket and BSA wall arm

Required accessories:  
 L1200A - 1 pcs  
 BSA-500 or BSA-700 - 1 pcs  
 DIN 912 M10x50 bolt - 7 pcs  
 M10 screw nut - 3 pcs  
 M10 washer - 3 pcs  
 M10 spring washer - 3 pcs

- Start by attaching the L1200A bracket to SUR-1200 cabinet using four M10x50 bolts. Assemble left or right configuration for left or right wall respectively.
- Attach the BSA's base plate to wall.
- Insert and secure BSA's arm into the base plate using two M10x50 bolts, two M10 screw nuts, two M10 washers, two M10 spring washers. Use different arm length depending on the installation.
- Install the SUR-1200 with attached L1200A on top of the BSA. Secure the connection with M10x50 bolt, M10 screw nut, M10 washer and M10 spring washer.
- Pan and tilt the SUR-1200 according to installation needs. Secure all connections firmly.



### Suspending SUR-1200 onto the ceiling using L1200H bracket and CMT-series bracket

Required accessories:  
 L1200H - 1 pcs  
 DIN 912 M10x20 bolt - 4 pcs  
 CMT-HL - 1 pcs  
 M10x20 bolt - 2 pcs  
 M10 screw nut - 2 pcs  
 CMT-P - 1 pcs  
 M12x35 bolt - 4 pcs  
 CMT-D20 - 1 pcs (or other CMT-D)

- Start by the installation is to fasten the CMT-P to the ceiling with an M12x35 bolt.
- Screw the CMT-D20 into it.
- Attach the L1200H to the SUR-1200 using DIN 912 M10x20 screws.
- Attach the CMT-HL to the L1200H using Bolts and Nuts.
- Install CMT-HL with bracket L1200H and SUR-1200 on pipe CMT-D20.
- Determine the position for fixing all screws.
- The angle of the loudspeaker can be adjusted thanks to the mounting options of the L1200H bracket.

