

SUR-12C

Ceiling surround



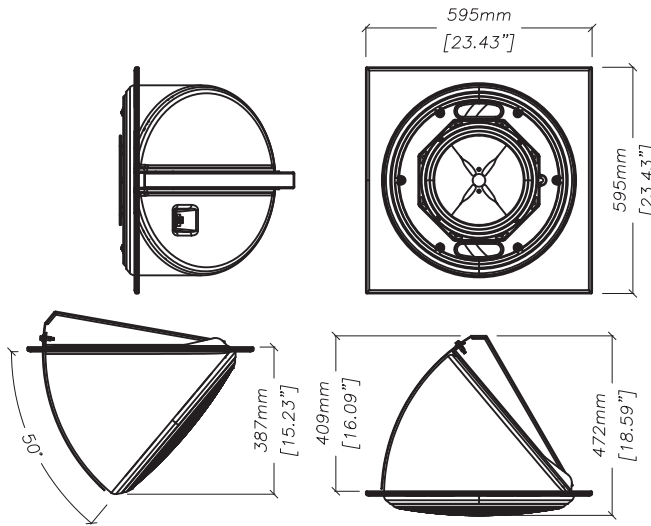
Whatever design you have in mind, MAG Cinema will surely surprise you. Starting with small and professional home cinemas and up to large-scale indoor and outdoor theaters, our surround speakers come in many shapes, sizes, and performance capabilities.

Based on our own carefully designed and fine-tuned components, our surround systems provide smooth operation and optimal coverage and are approved to be used with the latest 3D sound cinema standards. With a comprehensive range of installation accessories, including fittings and brackets, MAG Cinema surround speakers are easily mounted for quick overall installation times.

The SUR-12C is a built-in ceiling speaker made for demanding immersive sound installation. It is created to fit as a standard Armstrong 24" x 24" ceiling tile. Based on a powerful 12" coaxial surround speaker, SUR-12C offers 360° rotation and up to 50° of tilt for precise aiming.



DIMENSIONS



SPECIFICATIONS

Frequency response (-6/+3)	50 - 18000 Hz
Max continuous SPL ²	124 dB
Sensitivity (1W/1m half-space) ¹	100 dB
Sensitivity (1W/1m free-space) ¹	97 dB
Drivers	12", 3" VC Coaxial
Nominal coverage	90° x 90°
Nominal impedance	4 Ohm (SUR-12C-4) 8 Ohm (SUR-12C-8) 16 Ohm (SUR-12C-16)
Rated power ³	500 W
Connectors	Phoenix
Dimension (WxHxD)	595x595x472 mm / 19,7"x19,7"x16,6"
Net weight	23 kg / 50,7 lbs
Gross weight	25 kg / 55,1 lbs
Mounting	Integrated mounting system 0°-50° vertical tilt
Enclosure materials	Polyurethane plastic, wear-resistant paint
Colour	Black

¹ - dBSPL, IEC 60268-5 pink noise, 1W / 1m, half- and free- space
² - dBSPL RMS, IEC 60268-5 pink noise, measured on nominal power
³ - 2 hour power test, IEC filtered noise, 6 dB crest factor

CONNECTIONS

Use Hi-pass filter to prevent speaker damage and distorted sound by eliminating low non-audible frequencies in input signal.

Do not exceed input powers, abovementioned in specifications, while exploiting the speaker system.

Speaker system comes with Phoenix connectors for connection to amplifier.

Connection:	
Signal +	+ Terminal
Signal -	- Terminal
High pass filter	45 Hz BW24
Recommended amplifier power	500 - 1000 W on nominal impedance

SAFETY INSTRUCTIONS

1. Do not pour liquids on speaker system - this may cause driver cone destruction and unappealing speaker appearance. Do not allow direct sunlight on speaker cone - this will reduce its resource dramatically. For fire safety do not install speaker system near open flames or heating elements.
2. Do not use speaker system with damaged speaker cable - this is an electric shock hazard and fire hazard.
3. Make sure the speaker system is firmly set up on ceiling, stage, or wall (where applicable).
4. While setting speaker system up on slope or slippery surface, make necessary arrangements to avoid its movement due to its vibration.
5. The speaker system is capable of delivering significant sound pressure levels. To avoid permanent or temporary hearing damage, prolonged exposure to sound pressure levels exceeding 90 dB should be limited.

