

SUR-123

Cinema surround speaker

Whatever design you have in mind, MAG Cinema will surely surprise you. Starting with small and professional home cinemas and up to large-scale indoor and outdoor theaters, our surround speakers come in many shapes, sizes, and performance capabilities.

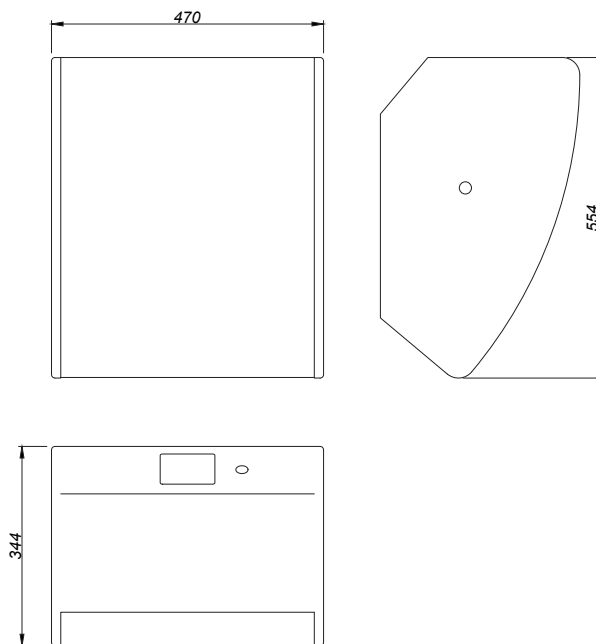
Based on our own carefully designed and fine-tuned components, our surround systems provide smooth operation and optimal coverage, and are approved to be used with latest 3D sound cinema standards.

With comprehensive range of installation accessories, including fittings and brackets, MAG Cinema speakers are easily mounted for quick overall installation times. Provided 7-year warranty, it is a kind of equipment you can rely on for years.

Benefiting from professional front grill design, SUR-123 high-power surround sound speaker has multiple mounting options for convenient setup and use. 12" coaxial driver provides perfect coherence and optimal coverage.



DIMENSIONS



SPECIFICATIONS

Frequency response (-6/+3)	55 – 18000 Hz
Max continuous SPL ²	124 dB
Sensitivity (1W/1m half-space) ¹	100 dB
Sensitivity (1W/1m free-space) ¹	97 dB
Drivers	12" Coaxial
Nominal coverage	90° x 90°
Front panel tilt angle	15° (from vertical plane)
Nominal impedance	4 Ohm (SUR-123-4) 8 Ohm (SUR-123-8) 16 Ohm (SUR-123-16)
Rated power ³	500 W
Connectors	Phoenix
Dimension (WxHxD)	470x554x344 mm
Net weight	22 kg
Gross weight	27 kg
Mounting	2x M10 mounting points 1x M10 safety point 4x M5 VESA 100x100
Enclosure materials	Plywood, MDF, wear-resistant paint
Colour	Black
¹ - dB SPL, IEC 60268-5 pink noise, 1W / 1m, half- and free- space	
² - dB SPL RMS, IEC 60268-5 pink noise, measured on nominal power	
³ - 2 hour power test, IEC filtered noise, 6 dB crest factor	

SAFETY INSTRUCTIONS

1. Do not pour liquids on speaker system - this may cause driver cone destruction and unappealing speaker appearance. Do not allow direct sunlight on speaker cone - this will reduce its resource dramatically. For fire safety do not install speaker system near open flames or heating elements.
2. Do not use speaker system with damaged speakON or speaker cable - this is an electric shock hazard and fire hazard.
3. Make sure the speaker system is firmly set up on ceiling, stage, or wall (where applicable).
4. While setting speaker system up on slope or slippery surface, make necessary arrangements to avoid its movement due to its vibration.
5. The speaker system is capable of delivering a significant sound pressure levels. To avoid permanent or temporary hearing damage, prolonged exposure to sound pressure levels exceeding 90 dB should be limited.

CONNECTIONS

Use Hi-pass filter to prevent speaker damage and distorted sound by eliminating low non-audible frequencies in input signal.

Do not exceed input powers, abovementioned in specifications, while exploiting the speaker system.

Speaker system comes with barrier strip screw terminal for connection to amplifier.

Connection:	
Signal +	+ Terminal
Signal -	- Terminal
High pass filter:	55 Hz BW24
Recommended amplifier power	500 - 1000 W on nominal impedance