

SUR-1200

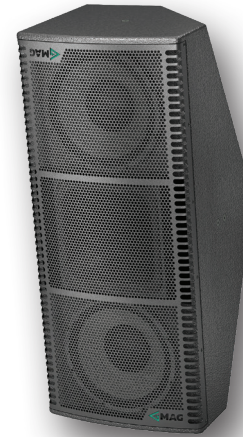
Cinema surround speaker

Whatever design you have in mind, MAG Cinema will surely surprise you. Starting with small and professional home cinemas and up to large-scale indoor and outdoor theaters, our surround speakers come in many shapes, sizes, and performance capabilities.

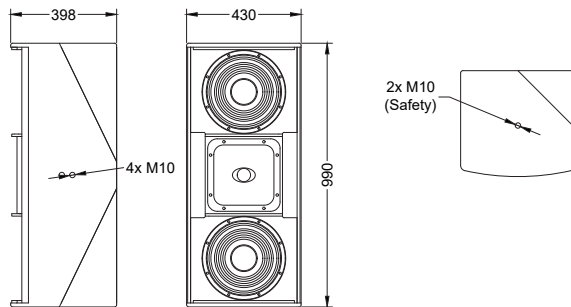
Based on our own carefully designed and fine-tuned components, our surround systems provide smooth operation and optimal coverage, and are approved to be used with latest 3D sound cinema standards.

SUR-1200 is a high-power frontal surround speaker specifically designed to deliver necessary SPL and coverage for extremely large cinema halls. It houses two 12" woofers and 4" voice coil high-frequency driver, providing impressive 1200W of nominal power handling and SPL peaking at 137,5 dB.

SUR-1200 has received a special enclosure design, called in to minimize the frontal footprint and improve fit into cinema hall's interior design.



DIMENSIONS



SPECIFICATIONS

Frequency response (-6/+3)	50 - 18000 Hz
Max continuous SPL ²	131,5 dB
Sensitivity (1W/1m half-space) ¹	103,5 dB
Sensitivity (1W/1m free-space) ¹	100,5 dB
Drivers	2x 12" + 2"
Nominal coverage HxV	80° x 70°
Acoustical radiation horizontal axis	0° (from wall)
Impedance	4 Ohm
Rated power ³	1200 W
Connectors	Phoenix
Dimensions (WxHxD)	430x990x398 mm
Net weight	45 kg
Shipping weight	48 kg
Mounting	4x M10 mounting points 2x M10 safety point
Enclosure materials	Plywood; wear-resistant paint
Grill	Steel grill

¹ - dB SPL, IEC 60268-5 pink noise, 1W / 1m, half- and free- space
² - dB SPL RMS, IEC 60268-5 pink noise, measured on nominal power
³ - 2 hour power test, IEC filtered noise, 6 dB crest factor

MOUNTING

Suspending SUR-1200 onto wall using L1200A bracket and WA-1 wall arm

Required accessories:
L1200A (part No. 0200100007) - 1 pcs
WA-1 (part No. 0200100006) - 1 pcs
DIN 912 M10x50 bolt - 7 pcs
M10 screw nut - 3 pcs
M10 washer - 3 pcs
M10 spring washer - 3 pcs

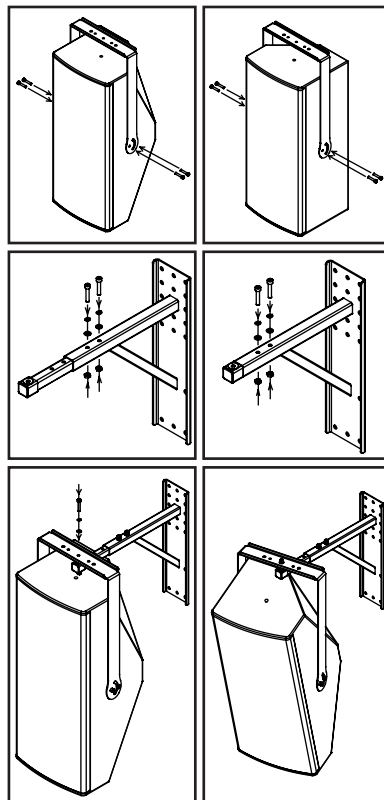
- Start by attaching the L1200A bracket to SUR-1200 cabinet using four M10x50 bolts. Assemble left or right wall configuration for left or right wall respectively.

- Attach the WA-1's base plate to wall.

- Insert and secure WA-1's arm into the base plate using two M10x50 bolts, two M10 screw nuts, two M10 washers, two M10 spring washers. Use different arm length depending on the installation.

- Install the SUR-1200 with attached L1200A on top of the WA-1. Secure the connection with M10x50 bolt, M10 screw nut, M10 washer and M10 spring washer.

- Pan and tilt the SUR-1200 according to installation needs. Secure all connections firmly.



CONNECTIONS

Use Hi-pass filter to prevent speaker damage and distorted sound by eliminating low non-audible frequencies in input signal.

Do not exceed input powers, abovementioned in specifications, while exploiting the speaker system.

Speaker system comes with barrier strip screw terminal for connection to amplifier.

Connection:	
Signal +	+ Terminal
Signal -	- Terminal
High pass filter:	50 Hz BW24
Recommended amplifier power	1200 - 2400 W on nominal impedance

SAFETY INSTRUCTIONS

1. Do not pour liquids on speaker system. Do not allow direct sunlight on speaker cone. Do not install speaker system near open flames or heating elements.
2. Do not use speaker system with damaged connectors or speaker cable - this is an electric shock hazard and fire hazard.
3. Make sure the speaker system is firmly set up on ceiling, stage, or wall (where applicable).
4. The speaker system is capable of delivering a significant sound pressure levels. To avoid permanent or temporary hearing damage, prolonged exposure to sound pressure levels exceeding 90 dB should be limited.