

SCR-412

Cinema
screen speaker



Whatever design you have in mind, MAG Cinema will surely surprise you. Starting with small and professional home cinemas and up to large-scale indoor and outdoor theaters, our surround speakers come in many shapes, sizes, and performance capabilities.

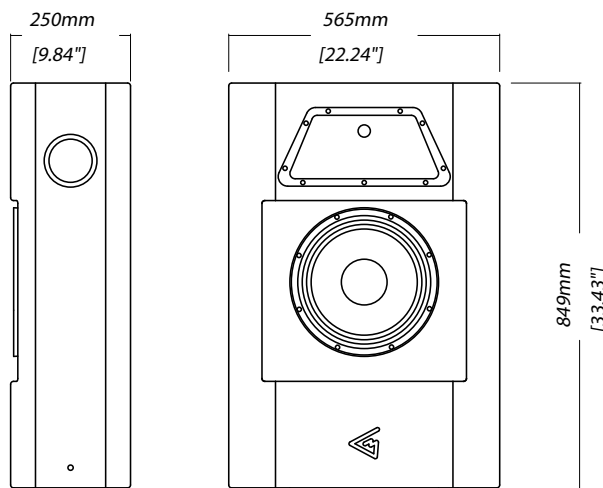
Based on our own carefully designed and fine-tuned components, our surround systems provide smooth operation and optimal coverage, and are approved to be used with latest 3D sound cinema standards.

With comprehensive range of installation accessories, including fittings and brackets, MAG Cinema screen speakers are easily mounted for quick overall installation times. Provided 7-year warranty, it is a kind of equipment you can rely on for years.

Extremely slim (less than 10 inch) screen speaker, SCR-412 fits into the tightest behind-screen space. Speaker's sensitivity allows for much lower power amplifiers ratings, further reducing the project costs and environmental impact.



DIMENSIONS



SPECIFICATIONS

Frequency response (-6/+3)	40 - 20000 Hz
Max continuous SPL ²	121,5 dB
Sensitivity (1W/1m half-space) ¹	97 dB passive 97 dB LF / 108 dB HF bi-amp
Drivers	12" + 1"
Coverage Horizontal ³	60°-90° variable
Coverage Vertical ³	+5 -35°
Nominal impedance	4 Ohm passive 4 Ohm LF / 8 Ohm HF Bi-amp
Nominal power handling ⁴	300 W passive 300 W LF / 50 W HF bi-amp
Connectors	Barrier strip screw terminal
Dimension (W x H x D)	565 x 849 x 250 mm / 22,24" x 33,43" x 9,84"
Net weight	30,2 kg / 66,58 lbs
Gross weight	32,2 kg / 70,99 lbs
Mounting	2 x M5 floor mounting 4 x M8 bracket mounting
Enclosure materials	Plywood, MDF, wear-resistant paint
Colour	Black

¹ - dB SPL, IEC 60268-5 pink noise, 1W / 1m

² - dB SPL RMS, IEC 60268-5 pink noise, measured on nominal power

³ - Optimized coverage HF horn has a wider dispersion in the near-field and narrower in the far field. HF horn has a 40° vertical coverage and a radiation axis aiming 15° down from the horizontal plane. At an upper vertical threshold (5° up from horizontal plane) speaker has a horizontal coverage of 60°. At a lower vertical threshold (35° down from horizontal plane) speaker has a horizontal coverage of 90°

⁴ - 2 hour power test, IEC filtered noise, 6 dB crest factor

CONNECTIONS

Use Hi-pass filter to prevent speaker damage and distorted sound by eliminating low non-audible frequencies in input signal.

Do not exceed input powers, abovementioned in specifications, while exploiting the speaker system.

Speaker system comes with barrier strip screw terminal for connection to amplifier.

Recommended crossover	
Full-range	HPF 40 Hz BW 36 dB/oct
Bi-amp LF	HPF 40 Hz BW 36 dB/oct, LPF 1000 Hz LR 24 dB/oct
Bi-amp HF	HPF 1000 Hz LR 24 dB/oct or higher
Recommended amplifier power Full-range	300 - 600 W on nominal impedance
Recommended amplifier power Bi-amp LF	250 - 500 W on nominal impedance
Recommended amplifier power	50 - 100 W on nominal impedance

SAFETY INSTRUCTIONS

1. Do not pour liquids on speaker system - this may cause driver cone destruction and unappealing speaker appearance. Do not allow direct sunlight on speaker cone - this will reduce its resource dramatically. For fire safety do not install speaker system near open flames or heating elements.
2. Do not use speaker system with damaged speakON or speaker cable - this is an electric shock hazard and fire hazard.
3. Make sure the speaker system is firmly set up on ceiling, stage, or wall (where applicable).
4. While setting speaker system up on slope or slippery surface, make necessary arrangements to avoid its movement due to its vibration.
5. The speaker system is capable of delivering a significant sound pressure levels. To avoid permanent or temporary hearing damage, prolonged exposure to sound pressure levels exceeding 90 dB should be limited.

