

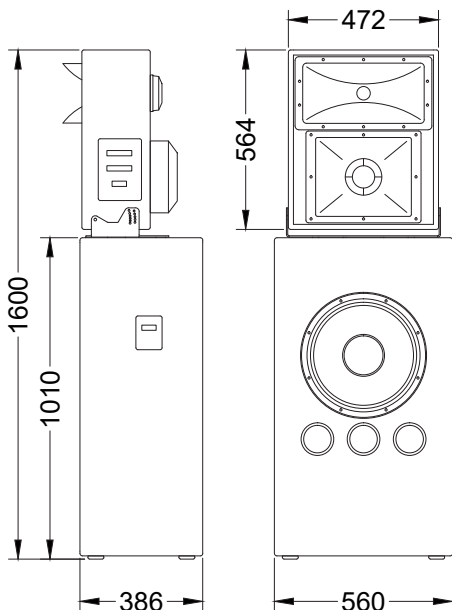


SCR-315M

CINEMA SCREEN SPEAKER

SCR-315M is about commitment to clarity and positioning of your cinema sound picture. 3-way system suitable for mid-sized cinemas as a center, right and left frontal speaker. Tilttable Mid-Hi section allows for perfect setup for hardest installation conditions.

For mid sized rooms
Up to 24m in length



Main features:

- 900W nominal power
- 15" woofer with 4" voice coil
- 8" midrange with 2" voice coil
- 1" HF driver with 1,75" voice coil
- 135 dB Max SPL

Frequency response (-6dB)	39 – 18000 Hz
Nominal coverage HxV	90° x 40°
Max SPL (peak)	135 dB (calculated)
LF Transducer	15", M1570
MF Transducer	8", M0811
HF Transducer	1", M112
Bi-amp mode	
Sensitivity (1W/1m)	97 dB Low / 106 dB Mid-High
Impedance	8 Ohm Low / 8 Ohm Mid-High
Nominal power (1)	700 W Low / 200 W Mid-High
Program power	1400 W Low / 400 W Mid-High
Peak power	2800 W Low / 800 W Mid-High
Bi-amp mode recommended processor settings	
Low	HPF 38 Hz Butterworth 18dB/oct; LF boost 40Hz +4,5 dB, Q=0,8; LPF 300 Hz Linkwitz-Riley 24dB/oct; Delay 0,15ms; Polarity normal
Mid-High	HPF 300 Hz Linkwitz-Riley 24dB/oct; Delay 0ms; Polarity normal
Recommended processor	MAG Audio MP 36
Tri-amp mode	
Sensitivity (1W/1m)	97 dB Low / 104 dB Mid / 110dB High
Impedance	8 Ohm Low / 8 Ohm Mid / 8 Ohm High
Nominal power (1)	700 W Low / 150 W Mid / 50 W High
Program power	1400 W Low / 300 W Mid / 100 W High
Peak power	2800 W Low / 600 W Mid / 200 W High
Tri-amp mode recommended processor settings	
Low	HPF 40 Hz Butterworth 24dB/oct; LF boost 40Hz +4,5 dB, Q=0,8; LPF 300 Hz Linkwitz-Riley 24dB/oct; Delay 0,15ms; Polarity normal
Mid	HPF 300 Hz Linkwitz-Riley 24dB/oct; LPF 1500 Hz Linkwitz-Riley 24dB/oct; Delay 0ms; Polarity normal
High	HPF 1500 Hz Linkwitz-Riley 24dB/oct; Delay 0,06ms; Polarity invert
Recommended processor	MAG Audio MP 36
Connections and physical data	
Connectors	Bi-amp / Tri-amp barrier strip screw terminal
Dimensions (WxHxD)	560x1600x386 mm
Net weight	54 kg
Shipping weight	58 kg
Enclosure materials	Plywood; MDF; wear-resistant paint
Color	Black

(1) – Based on 2 hours power test, IEC filtered pink noise, 6 dB crest factor