

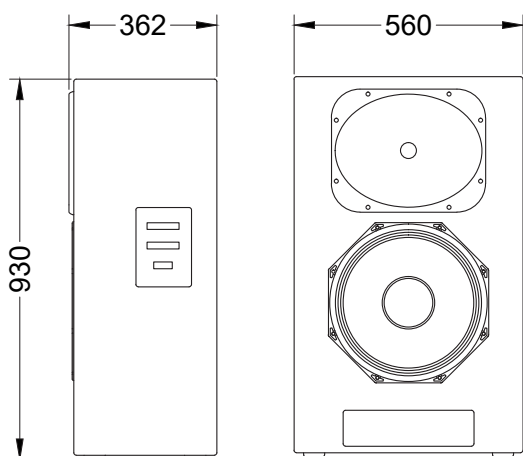


SCR-215A

CINEMA SCREEN SPEAKER

Extremely powerful two-way compact 15"+1,4" screen speaker, the SCR-215A is a topline solution for small and home cinemas. With extended low frequency output and 900W power capacity, SCR-215A meets the most advanced requirements of modern 3D-audio cinemas.

For mid sized rooms
Up to 20m in length



Main features:

- 900W nominal power
- 15" woofer with 4" voice coil
- 1,4" HF driver with 2,8" voice coil
- 134 dB Max SPL

Frequency response (-6dB)	40 – 18000 Hz
Nominal coverage HxV	80° x 60°
Max SPL (peak)	134 dB (calculated)
LF Transducer	15"
HF Transducer	1,4", M140
Full-range mode	
Sensitivity (1W/1m)	98,5 dB
Impedance	8 Ohm
Nominal power (1)	900 W
Program power	1800 W
Peak power	3600 W
Full-range mode recommended processor settings	
	HPF 38 Hz Butterworth 24dB/oct
Recommended processor	MAG Audio MP 36
Bi-amp mode	
Sensitivity (1W/1m)	97 dB Low / 108 dB High
Impedance	8 Ohm Low / 8 Ohm High
Nominal power (1)	800 W Low / 100 W High
Program power	1600 W Low / 200 W High
Peak power	3200 W Low / 400 W High
Bi-amp mode recommended processor settings	
Low	HPF 38 Hz Butterworth 24dB/oct; LPF 1200 Hz Butterworth 24dB/oct; Delay 0,59 ms; Polarity normal
High	HPF 1200 Hz Butterworth 18dB/oct; Delay 0ms, Polarity normal
Recommended processor	MAG Audio MP 36
Connections and physical data	
Connectors	Full-range / Bi-amp barrier strip screw terminal
Dimensions (WxHxD)	560x930x362 mm
Net weight	43,5 kg
Shipping weight	46,5 kg
Enclosure materials	Plywood; MDF; wear-resistant paint
Color	Black

(1) – Based on 2 hours power test, IEC filtered pink noise, 6 dB crest factor