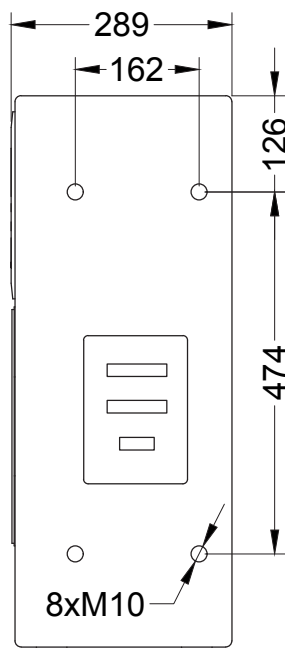
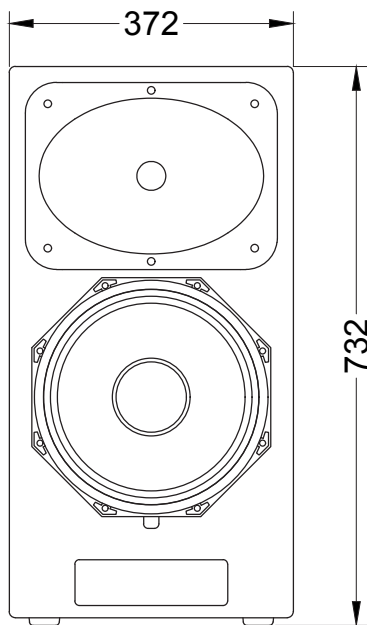


SCR-212A

CINEMA SCREEN SPEAKER

Two-way 12" + 1" screen speaker, the SCR-212A brings remarkable power into the small sized cinemas and home cinemas. With perfect coverage control and positioning, the SCR-212A is perfectly suitable for demanding cinema applications.

For small to mid rooms - up to 16m in length



Main features:

- 600W nominal power
- 12" woofer with 3" voice coil
- 1,5" HF driver with 2,8" voice coil
- 132 dB Max SPL

Frequency response (-10dB)	50 – 20000 Hz
Nominal coverage HxV	80° x 60°
Max SPL (peak)	132 dB (calculated)
LF Transducer	12"
HF Transducer	1,5"
Full-range mode	
Sensitivity (1W/1m)	98 dB
Impedance	8 Ohm / 4 Ohm
Nominal power (1)	600 W
Program power	1200 W
Peak power	2400 W
Internal crossover point	1200 Hz
Full-range mode recommended processor settings	
	HPF 45 Hz Butterworth 24dB/oct
Recommended processor	MAG Audio MP 36
Bi-amp mode	
Sensitivity (1W/1m)	98 dB Low / 108 dB High
Impedance	8 Ohm Low / 8 Ohm High (SCR-212A) 4 Ohm Low / 8 Ohm High (SCR-212A-4)
Nominal power (1)	500 W Low / 100 W High
Program power	1000 W Low / 200 W High
Peak power	2000 W Low / 400 W High
Connections and physical data	
Connectors	Full-range / Bi-amp barrier strip screw terminal
Dimensions (WxHxD)	372x732x289 mm
Net weight	26 kg
Shipping weight	29 kg
Enclosure materials	Plywood; MDF; wear-resistant paint
Color	Black