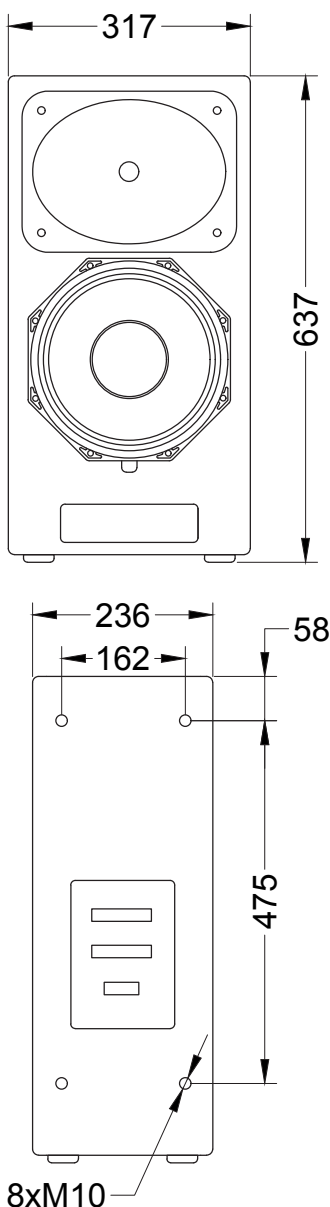


# SCR-210A

## CINEMA SCREEN SPEAKER

SCR-210A is a powerful screen speaker for small cinemas aspiring to provide experience of large, overcrowded theaters. It is easily installed using M10 mounting points.

For small-sized rooms - up to 12m in length.



### Main features:

- 450W nominal power
- 10" woofer with 3" voice coil
- 1" HF driver with 1,75" voice coil
- 129,5 dB Max SPL

Frequency response (-10dB)	50 – 20000 Hz
Nominal coverage HxV	80° x 60°
Max SPL (peak)	129,5 dB (calculated)
LF Transducer	10"
HF Transducer	1"
Full-range mode	
Sensitivity (1W/1m)	97 dB
Impedance	8 Ohm
Nominal power (1)	450 W
Program power	900 W
Peak power	1800 W
Internal crossover point	1500 Hz
Full-range mode recommended processor settings	
	HPF 45 Hz Butterworth 24dB/oct
Recommended processor	MAG Audio MP 36
Bi-amp mode	
Sensitivity (1W/1m)	97 dB Low / 108 dB High
Impedance	8 Ohm Low / 8 Ohm High
Nominal power (1)	400 W Low / 50 W High
Program power	800 W Low / 100 W High
Peak power	1600 W Low / 200 W High
Connections and physical data	
Connectors	Full-range / Bi-amp barrier strip screw terminal
Dimensions (WxHxD)	317x637x236 mm
Net weight	13 kg
Shipping weight	16 kg
Enclosure materials	Plywood; MDF; wear-resistant paint
Color	Black