

THOR

Ultimate cinema subwoofer

THOR – the most advanced cinema subwoofer in the world, designed to bring unparalleled cinema experience.

With frequency range extending from 18 to 120Hz and SPL peaking at 145dB, THOR reproduces cinema track features beyond capabilities of conventional subwoofers.

THOR features innovative M-Drive® amplifier with tremendous power headroom, thus providing exceptional sound pressure and 5000W of nominal amplifier power.

Rigid, heavily reinforced enclosure was made as slim as possible to fit into the limited behind the screen space.

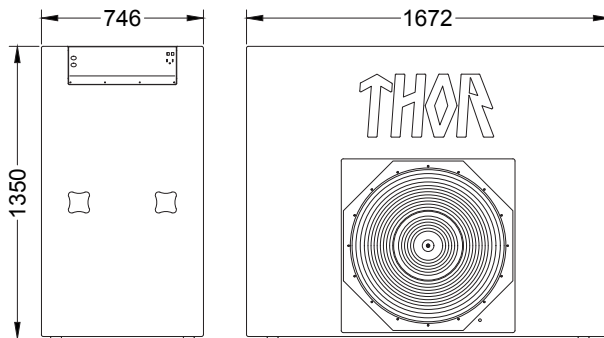
THOR is based on the M-Force® technology from Powersoft®.

M-Force® is an innovative and unique transducer based on patented moving magnet linear motor structure. Unbelievable performance in terms of power handling, electromagnetic conversion, reliability and maximum SPL are a few of the innovative features and improvements with respect to conventional moving coil arrangement.

With such an advanced driver at its heart, THOR was created to decisively surpass the listening expectations of demanding moviegoers, while providing SPL and reliability far beyond capabilities of traditional cinema speakers.



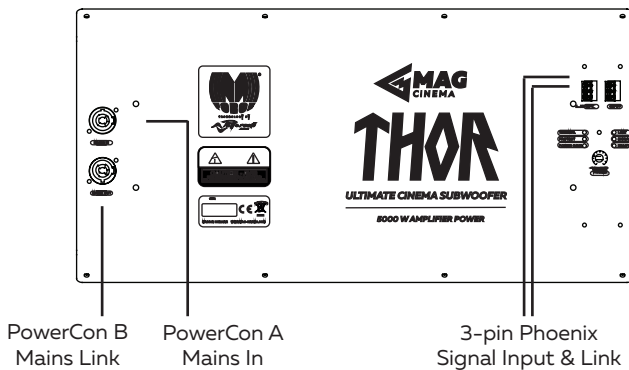
DIMENSIONS



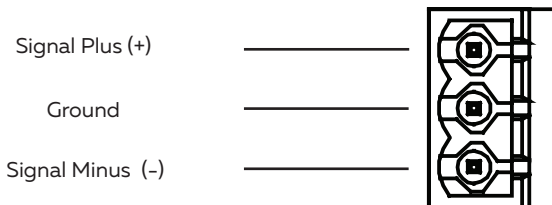
SPECIFICATIONS

Frequency range (-3dB)	18–120 Hz
Max sound pressure level	145 dB (calculated)
Driver	30" M-Force moving magnet linear motor transducer
Amplifier	M-Drive, class D high efficiency
DSP	10 µs latency DSP
User DSP	Optional DSP with AES3 digital inputs
Nominal amplifier power	5000 W
DPC technology	Difference Pressure Technology® for electromechanical / acoustical nonlinearities elimination and distortion reduction
Input sensitivity	+4 dBV
Maximum power consumption	6000 W (@ 230V)
Connectors	3-pin Phoenix input, 3-pin Phoenix link PowerCon mains input, PowerCon mains link
Dimensions (W×H×D)	1672 × 1350 × 746 mm
Net weight	220 kg
Shipping weight	245 kg
Enclosure materials	Plywood; wear-resistant paint
Color	Black

CONNECTIONS



Phoenix Input & Link Connector Pins



SAFETY INSTRUCTIONS

Do not pour liquids on speaker system - this may cause driver cone destruction and unappealing speaker appearance. Do not allow direct sunlight on speaker cone - this will reduce its resource dramatically. For fire safety do not install speaker system near open flames or heating elements.

Do not use speaker system with damaged Power cord - this is an electric shock hazard and fire hazard.

Make sure the speaker system is firmly set up on floor, stage, or speaker stand (where applicable).

While setting speaker system up on slope or slippery surface, make necessary arrangements to avoid its movement due to its vibration.

The speaker system is capable of delivering significant sound pressure levels. To avoid permanent or temporary hearing damage, prolonged exposure to sound pressure levels exceeding 90 dB should be limited.



Use only power outlet with grounding to power the amplifier.
Nominal voltage: ~220V, 50/60 Hz.
Voltage tolerance: 100V - 250V.
Recommended circuit breaker: 25A class C
While connecting the amplifier, plug the power cord to the amplifier first, then to a power outlet.

Free air flow to the top right of the system must be provided for amplifier's radiator to action properly.