

L-Sub

Cinema subwoofer

It's impossible to imagine a modern cinema without thunderous deep sound. For the cinemas that long for it, MAG Cinema provides a range of high-performance, rigid and reliable cinema subwoofers.

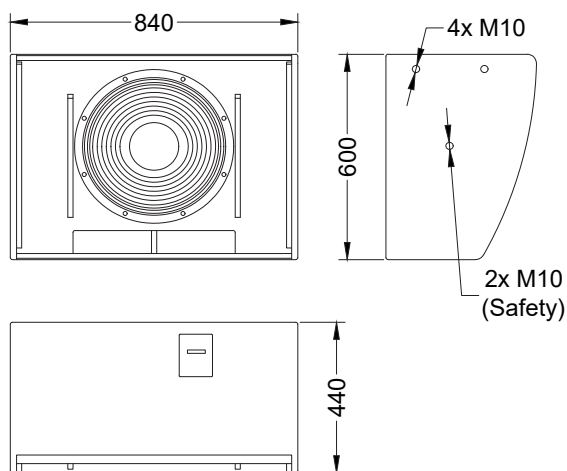
Based on extensive experience of pro-audio, we have built subwoofers designed to withstand most demanding cinema soundtracks imaginable. Own design and production of low-frequency transducers and effective enclosures fit perfectly global cinema experience, which MAG Cinema speakers surely have contributed to.

Featuring large-scale subwoofers for big theaters, main subwoofer channel, smaller solution for more compact cinemas, and specific wall mountable subwoofers for modern 3D sound cinema standards – all of this is provided with MAG Cinema 7-year warranty.

High power subwoofer, designed specifically to be used as a surround subwoofer channel unit. Loaded with extremely powerful 18" long excursion transducer, L-Sub goes with bracket for wall mounting.



DIMENSIONS



CONNECTIONS

Use Hi-pass filter to prevent speaker damage and distorted sound by eliminating low non-audible frequencies in input signal.

Do not exceed input powers, abovementioned in specifications, while exploiting the speaker system.

Speaker system comes with barrier strip screw terminal for connection to amplifier.

| Connection: | |
|-----------------------------|------------------------------------|
| Signal + | + Terminal |
| Signal - | - Terminal |
| High pass filter | 36 Hz BW24 |
| Recommended amplifier power | 1200 - 2400 W on nominal impedance |

SPECIFICATIONS

| | |
|---|---|
| Frequency response (+3\ -6 dB) | 36 - 160 Hz |
| Sensitivity (1W/1m) (half-space) ¹ | 100 dB |
| Max continuous SPL ² | 131 dB |
| LF Transducer | 18" |
| Impedance | 4 Ohm (L-Sub-4) 8 Ohm (L-Sub-8) |
| Rated power ³ | 1200 W |
| Connectors | Phoenix |
| Dimensions (WxHxD) | 840x600x440 mm |
| Net weight | 50 kg |
| Shipping weight | 55 kg |
| Mounting | 4x M10 mounting points 2x M10 safety points 4x MB bracket mounting points |
| Grill | Steel safety grill |
| Enclosure materials | Plywood; wear-resistant paint |

¹ - dBSPL, IEC 60268-5 pink noise, 1W / 1m

² - dBSPL RMS, IEC 60268-5 pink noise, measured on nominal power

³ - 2 hour power test, IEC filtered noise, 6 dB crest factor

SAFETY INSTRUCTIONS

1. Do not pour liquids on speaker system - this may cause driver cone destruction and unappealing speaker appearance. Do not allow direct sunlight on speaker cone - this will reduce its resource dramatically. For fire safety do not install speaker system near open flames or heating elements.
2. Do not use speaker system with damaged speaker cable - this is an electric shock hazard and fire hazard.
3. Make sure the speaker system is firmly set up on ceiling, stage, or wall (where applicable).
4. While setting speaker system up on slope or slippery surface, make necessary arrangements to avoid its movement due to its vibration.
5. The speaker system is capable of delivering significant sound pressure levels. To avoid permanent or temporary hearing damage, prolonged exposure to sound pressure levels exceeding 90 dB should be limited.