

SCR-435

Cinema screen speaker

Whatever design you have in mind, MAG Cinema will surely surprise you. Starting with small and professional home cinemas and up to large-scale indoor and outdoor theaters, our surround speakers come in many shapes, sizes, and performance capabilities.

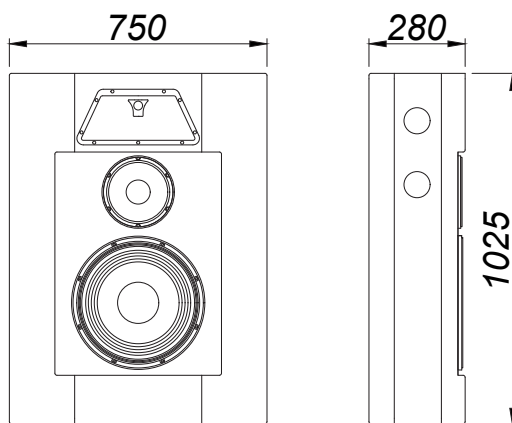
Based on our own carefully designed and fine-tuned components, our surround systems provide smooth operation and optimal coverage, and are approved to be used with latest 3D sound cinema standards.

With comprehensive range of installation accessories, including fittings and brackets, MAG Cinema screen speakers are easily mounted for quick overall installation times. Provided 7-year warranty, it is a kind of equipment you can rely on for years.

SCR-435 is three-way screen speaker for small and mid-sized halls. Being only 11 inch deep, it easily fits even in smallest space behind screen. With components built specifically for response and sensitivity, SCR-435 effectively cuts down costs for amplification and cooling.



DIMENSIONS



CONNECTIONS

Use Hi-pass filter to prevent speaker damage and distorted sound by eliminating low non-audible frequencies in input signal.

Do not exceed input powers, abovementioned in specifications, while exploiting the speaker system.

Speaker system comes with barrier strip screw terminal for connection to amplifier.

Connection:	
Full-range signal +	+ FULL-RANGE INPUT, upper jumpers on, lower jumper off *
Full-range signal -	- FULL-RANGE INPUT, upper jumpers on, lower jumper off *
Bi-amp LF signal +	+ LF, upper jumpers off, lower jumper on *
Bi-amp LF signal -	- LF, upper jumpers off, lower jumper on *
Bi-amp HF signal +	+ MHF, upper jumpers off, lower jumper on *
Bi-amp HF signal -	- MHF, upper jumpers off, lower jumper on *

* - refer to contact plate for detailed instructions

Recommended crossover

Full-range	HPF 40 Hz BW 24 dB/oct
Bi-amp LF	HPF 40 Hz BW 24 dB/oct, LPF 400 Hz LR 24 dB/oct
Bi-amp MHF	HPF 400 Hz LR 24 dB/oct
Recommended amplifier power Full-range	400 - 800 W on nominal impedance
Recommended amplifier power Bi-amp LF	300 - 600 W on nominal impedance
Recommended amplifier power MHF	150 - 300 W on nominal impedance

SPECIFICATIONS

Frequency response (-6/+3)	40 - 18000 Hz
Max continuous SPL ²	125 dB
Sensitivity (1W/1m half-space) ¹	99 dB passive 99 dB LF / 99 dB MHF bi-amp
Drivers	15" + 8" + 1"
Coverage Horizontal ³	60°-90° variable
Coverage Vertical ³	+5 -35°
Nominal impedance	4 Ohm passive 4 Ohm LF / 8 Ohm MHF bi-amp
Rated power ⁴	400 W passive 300 W LF / 150 W MHF bi-amp
Connectors	Barrier strip screw terminal
Dimension (WxHxD)	750x1025x280 mm
Net weight	46,5 kg
Gross weight	51,5 kg
Mounting	2xM5 floor mounting 4xM8 bracket mounting
Enclosure materials	Plywood, MDF, wear-resistant paint
Colour	Black

¹ - dB SPL, IEC 60268-5 pink noise, 1W / 1m

² - dB SPL peak, IEC 60268-5 pink noise, measured on nominal power, 6 dB crest factor

³ - Optimized coverage HF horn has a wider dispersion in the near-field and narrower in the far field. HF horn has a 40° vertical coverage and a radiation axis aiming 15° down from the horizontal plane. At an upper vertical threshold (5° up from horizontal plan) speaker has a horizontal coverage of 60°. At a lower vertical threshold (35° down from horizontal plan) speaker has a horizontal coverage of 90°

⁴ - 2 hour power test, IEC filtered noise, 6 dB crest factor

SAFETY INSTRUCTIONS

1. Do not pour liquids on speaker system - this may cause driver cone destruction and unappealing speaker appearance. Do not allow direct sunlight on speaker cone - this will reduce its resource dramatically. For fire safety do not install speaker system near open flames or heating elements.
2. Do not use speaker system with damaged speakON or speaker cable - this is an electric shock hazard and fire hazard.
3. Make sure the speaker system is firmly set up on ceiling, stage, or wall (where applicable).
4. While setting speaker system up on slope or slippery surface, make necessary arrangements to avoid its movement due to its vibration.
5. The speaker system is capable of delivering a significant sound pressure levels. To avoid permanent or temporary hearing damage, prolonged exposure to sound pressure levels exceeding 90 dB should be limited.